



HID Reader Upgrade Kit

Date of issue:
03 March 2021

Author: Venuka Amrakoon
Revision: 1.0.0



Compac Industries Ltd.
52 Walls Road, Penrose, Auckland 1061, New Zealand.
PO Box 12 417, Penrose, Auckland 1642, New Zealand.
Tel: **+64 9 579 2094** Fax: +64 9 579 0635 info@compac.co.nz www.compac.co.nz



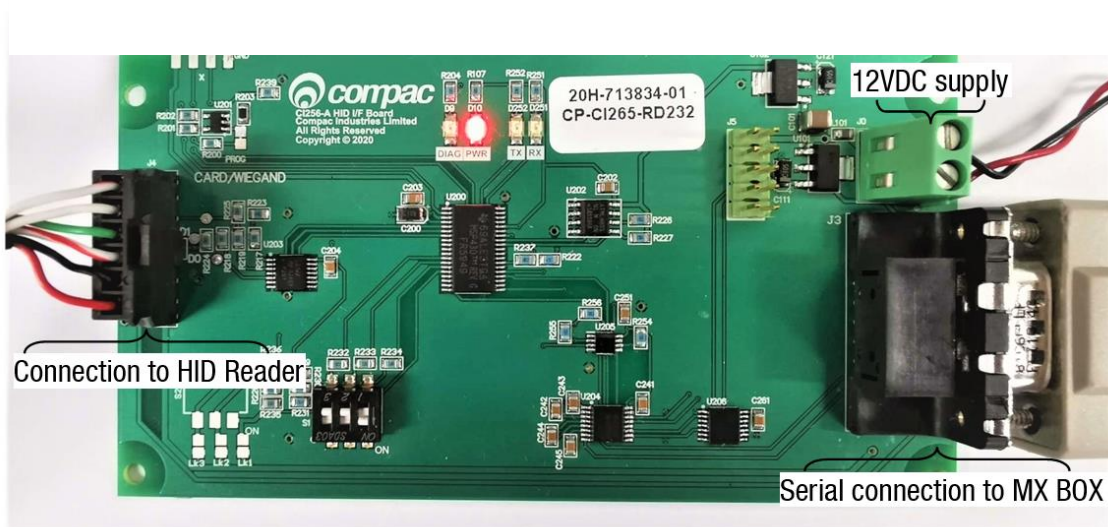
Scope

This document explains how to Install the HID reader upgrade kit for an OPT.

Procedure

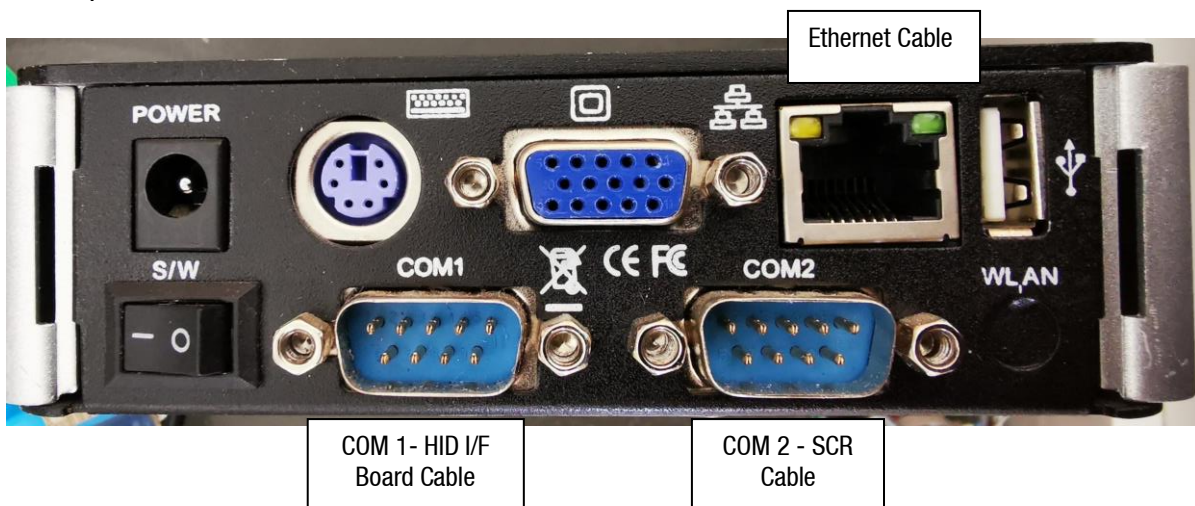
- **Please Contact helpdesk via Phone: 1800 145 887** before attempting make any changes to the hardware.
- Follow the instructions below to connect the hardware to the MX BOX.
- Isolate the unit from the 230V mains power and Isolate the battery power by unplugging the CON3 terminal on the UPS board. Make sure the UPS board switch is in OFF position.

The CI265-HID I/F Board connections.

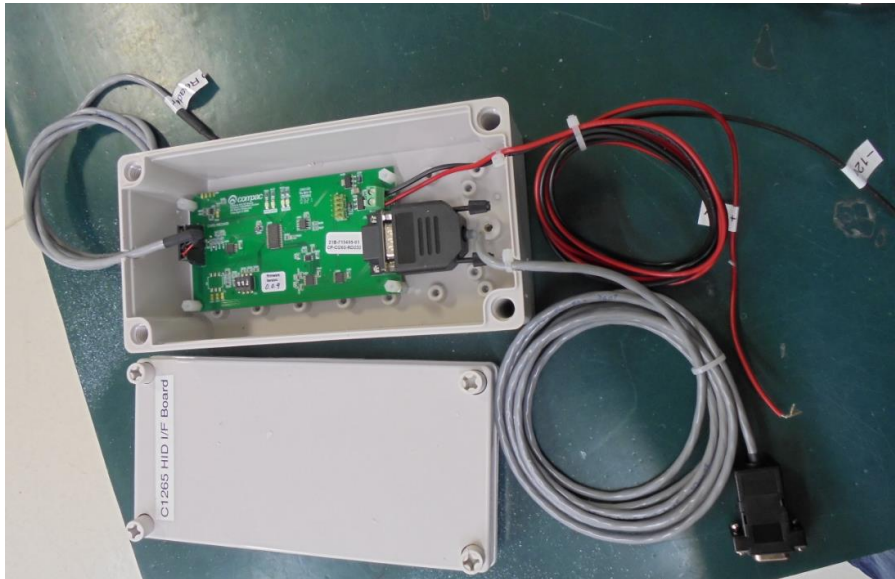


MX BOX Connections

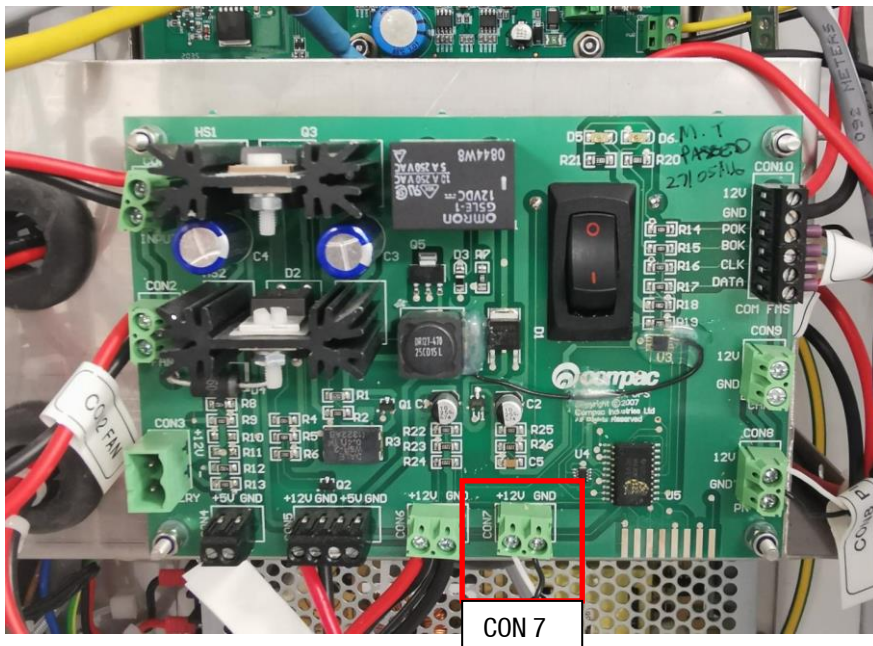
- Connect the CI265-HID I/F Board to the MX BOX – COM 1 port with the serial cable (Crossed) provided.



CI265-HID I/F Board

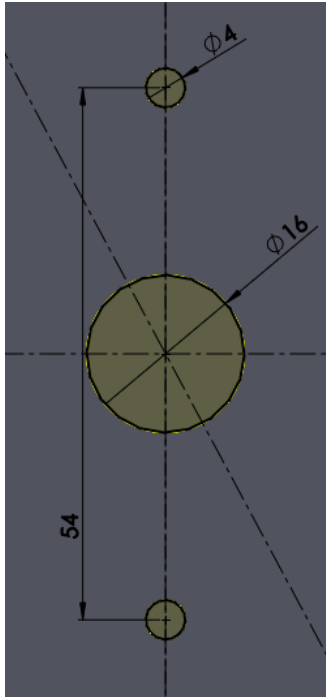


- Use UPS board CON7 Terminal to supply power to the CI265-HID I/F Board.

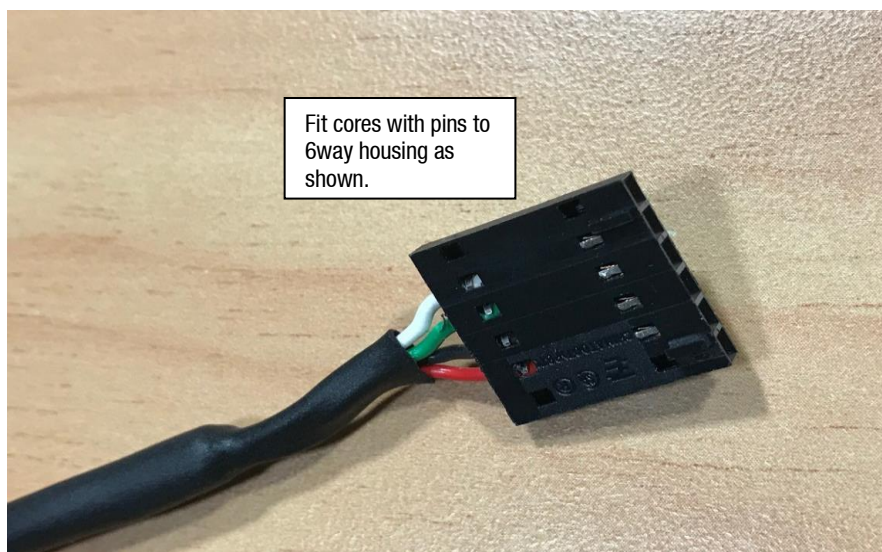


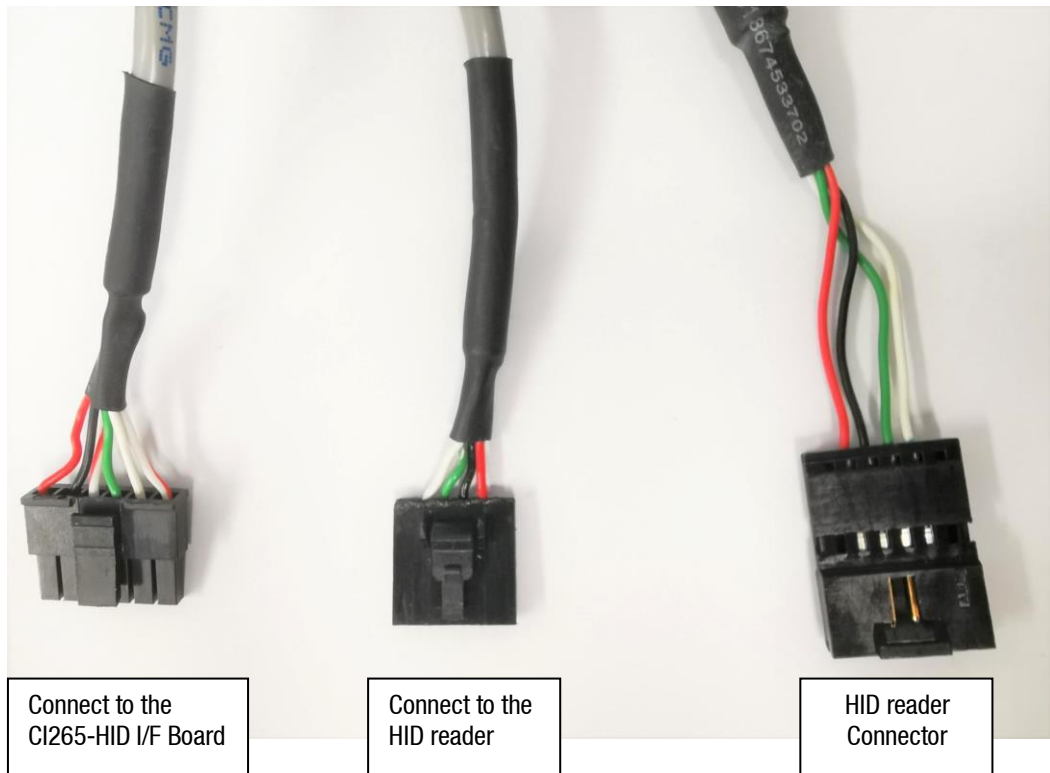
Find a suitable location inside the OPT to place the CI265-HID I/F Board (place it in the same side as the door hinges). Use the Velcro to secure the CI265-HID I/F Board and use the cable ties provided to secure wiring looms.

- Make holes in the face of the OPT door using the dimensions in the drawing below.



- Fit the HID Reader, passing the cable through the gland, & securing it with the fasteners provided.
- Tighten the gland nut.
- Fit the cores to the “supplied” 6way housing as per the photo below.
- Connect the internal wiring loom to the HID Reader wiring loom.





Connections overview

