



***compac***

***PREMIUM DISPENSER TECHNOLOGY***

# **Master C5000 Dispenser Installation Manual Version No 1.1.0**

**Model: Master C5000 Dispensers**

**Date: 20th May 2022**



## Conditions of Use

- Read this manual completely before working on, or making adjustments to, the Compac equipment
- Compac Industries Limited accepts no liability for personal injury or property damage resulting from working on or adjusting the equipment incorrectly or without authorization.
- Along with any warnings, instructions, and procedures in this manual, you should also observe any other common sense procedures that are generally applicable to equipment of this type.
- Failure to comply with any warnings, instructions, procedures, or any other common sense procedures may result in injury, equipment damage, property damage, or poor performance of the Compac equipment
- The major hazard involved with operating the Compac C5000 processor is electrical shock. This hazard can be avoided if you adhere to the procedures in this manual and exercise all due care.
- Compac Industries Limited accepts no liability for direct, indirect, incidental, special, or consequential damages resulting from failure to follow any warnings, instructions, and procedures in this manual, or any other common sense procedures generally applicable to equipment of this type. The foregoing limitation extends to damages to person or property caused by the Compac C5000 processor, or damages resulting from the inability to use the Compac C5000 processor, including loss of profits, loss of products, loss of power supply, the cost of arranging an alternative power supply, and loss of time, whether incurred by the user or their employees, the installer, the commissioner, a service technician, or any third party.
- Compac Industries Limited reserves the right to change the specifications of its products or the information in this manual without necessarily notifying its users.
- Variations in installation and operating conditions may affect the Compac C5000 processor's performance. Compac Industries Limited has no control over each installation's unique operating environment. Hence, Compac Industries Limited makes no representations or warranties concerning the performance of the Compac C5000 processor under the actual operating conditions prevailing at the installation. A technical expert of your choosing should validate all operating parameters for each application.
- Compac Industries Limited has made every effort to explain all servicing procedures, warnings, and safety precautions as clearly and completely as possible. However, due to the range of operating environments, it is not possible to anticipate every issue that may arise. This manual is intended to provide general guidance. For specific guidance and technical support, contact your authorised Compac supplier, using the contact details in the Product Identification section.
- Only parts supplied by or approved by Compac may be used and no unauthorised modifications to the hardware or software may be made. The use of non-approved parts or modifications will void all warranties and approvals. The use of non-approved parts or modifications may also constitute a safety hazard.
- Information in this manual shall not be deemed a warranty, representation, or guarantee. For warranty provisions applicable to the Compac C5000 processor, please refer to the warranty provided by the supplier.
- Unless otherwise noted, references to brand names, product names, or trademarks constitute the intellectual property of the owner thereof. Subject to your right to use the Compac C5000 processor, Compac does not convey any right, title, or interest in its intellectual property, including and without limitation, its patents, copyrights, and know-how.
- Every effort has been made to ensure the accuracy of this document. However, it may contain technical inaccuracies or typographical errors. Compac Industries Limited assumes no responsibility for and disclaims all liability of such inaccuracies, errors, or omissions in this publication.

## Product Identification

### Specifications

#### Models Covered

This manual applies to:

MR40S (std, marine and aviation)  
MR80S (std, marine and aviation)  
MMR40S (std and marine)  
MMR80S (std and marine)  
MMR80-40S (std and marine)  
MMR160-80S (std and marine)  
MMR160-40S (std and marine)  
MR160S (std, marine and aviation)  
MMR160S (std and marine)

**NOTE:** Do not use this manual for earlier models. Contact Compac for archived manuals if required.

### Validity

Compac Industries Limited reserves the right to revise or change product specifications at any time. This publication describes the state of the product at the time of publication and may not reflect the product at all times in the past or in the future.

### Manufactured By:

The Compac Dispensers are designed and manufactured by Compac Industries Limited  
52 Walls Road, Penrose, Auckland 1061, New Zealand  
P.O. Box 12-417, Penrose, Auckland 1641, New Zealand  
Phone: + 64 9 579 2094  
Fax: + 64 9 579 0635  
Email: [techsupport@compac.co.nz](mailto:techsupport@compac.co.nz)  
[www.compac.biz](http://www.compac.biz)  
Copyright ©2015 Compac Industries Limited, All Rights Reserved

## Document Control

Document Information	
<b>Manual Title</b>	Master C5000 Dispenser 40 to 160 lpm Installation Sheet
<b>Current Revision Author(s)</b>	Trevor Watt
<b>Original Publication Date</b>	26/03/2019
<b>Authorised By</b>	Emily Sione

Revision History			
Version	Date	Author(s)	Revision Notes
1.0.0	26/03/2019	S Laycock	New Manual – Updated from C4000 manuals
1.0.1	14/05/2019	S Laycock	Updated Terminal board wiring
1.0.2	02/08/2019	S Laycock	Updated Terminal board wiring
1.0.3	02/10/2019	S Laycock	Updated footprints
1.0.4	02/06/2020	V Amarakoon	Updated Installation
1.0.5	02/07/2020	V Amarakoon	Changed the manual title
1.0.6	30/07/2020	V Amarakoon	Updated the COMMS board
1.0.7	13/08/2020	V Amarakoon	Changed the heading on page 3
1.0.8	03/02/2021	V Amarakoon	Added MR160S (Left-Hand Outlet; N.Z Only) Footprint
1.0.9	01/10/2021	V Amarakoon	Updated footprints
1.1.0	20/05/2022	T Watt	Updated footprints

# Contents

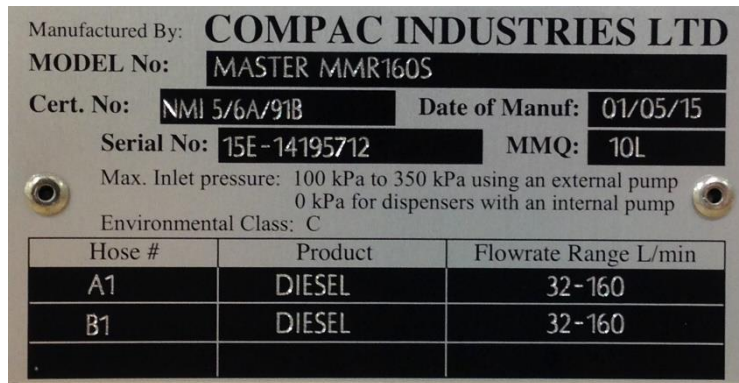
Product Identification .....	1
Footprints .....	2
<b>MASTER PN4 MR40S MR80S Dispenser (Includes 'Marine' variants)</b> .....	3
<b>MASTER PN4 MR40S MR80S Aviation Dispenser</b> .....	4
<b>MASTER PN4 MR160S Dispenser (Includes 'Marine' variants)</b> .....	5
<b>MASTER PN4 MR160S Aviation Dispenser</b> .....	6
<b>MASTER PN4 MR160S Left hand outlet Aviation Dispenser</b> .....	7
<b>MASTER PN4 MMR40S MMR80S MMR80-40S Dispenser (Incl 'Marine' variants)</b>	8
<b>MASTER PN4 MMR160S Dispenser (Includes 'Marine' variants)</b> .....	9
<b>MASTER PN4 MMR160-40S MMR160-80S Dispenser (Incl 'Marine' variants)</b>	10
Installation .....	11
<b>Static Electricity Precautions</b> .....	11
<b>Pre-installation Check</b> .....	11
<b>Procedures</b> .....	11
<b>Dispensing Hoses and Nozzles</b> .....	11
Breakaways .....	11
Typical Wiring .....	12
<b>Incoming Mains</b> .....	13
<b>Comms Connections</b> .....	14
<b>K-Factor Board</b> .....	15
<b>Terminal Board Connections</b> .....	16
160 / 80 / 40 lpm .....	16
MMR160S .....	17
MR400S, MMRS400-160S, MMR400-80S .....	18
Setting up the C5000 .....	19
<b>K-Factor Settings</b> .....	19
Changing the K-Factor .....	19
Changing the Solenoid Delay .....	20
<b>Parameter Settings</b> .....	21
Changing the Pump Number .....	21
Changing the Price .....	22
Standalone Mode .....	22
Notes .....	23
<b>Pump Controller</b> .....	23
<b>Spare Fuses</b> .....	23
<b>Precautions if Using Generator Power</b> .....	23
Error Messages .....	24

## Product Identification

Ensure you are using the correct installation instructions and footprint drawing before commencing site work or installation.

The identification plate is fastened to the bottom of the right-hand side panel when facing the front of the dispenser.

The model number is on the first line of the identification plate.



### Understanding the model number:

The model number for dispensers is split into: Chassis style, hose configuration, pump or dispenser and specific application.

Use the table below to help identify the unit.

Style	L/min per hose	Pump style	Options
MR = single hose	MR40 = one hose @ 40 l/min	P = pump	Blank = Standard
MMR = multi hose	MMR40 = two hoses @ 40 l/min	S = dispenser	Avi = Aviation
	MMR80-40 = side A 80, side B 40		Marine = Marine

For example: MMR 80-40S Marine is a two-hose unit. Hose side A is 80 l/min, side B is 40 l/min with external pumps. As a marine model it has stainless steel pipework and stainless-steel chassis for marine conditions.

**NOTE:** Make sure you use the footprint that relates exactly to your model.

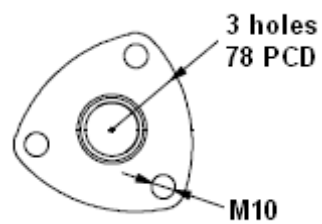
## Footprints

Outlets are 680mm above the base:

Outlet sizes: 40 l/min  $\frac{3}{4}$ ", 80 l/min 1", 160 l/min 1  $\frac{1}{4}$ " female BSP socket

**NOTE:** Make sure the footprint you use matches the dispenser model you are installing.

**NOTE:** Marine and aviation 160lpm dispensers use stainless steel pipework and sockets instead of a flange.

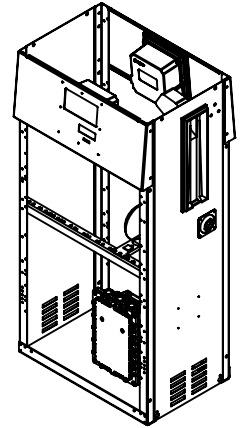
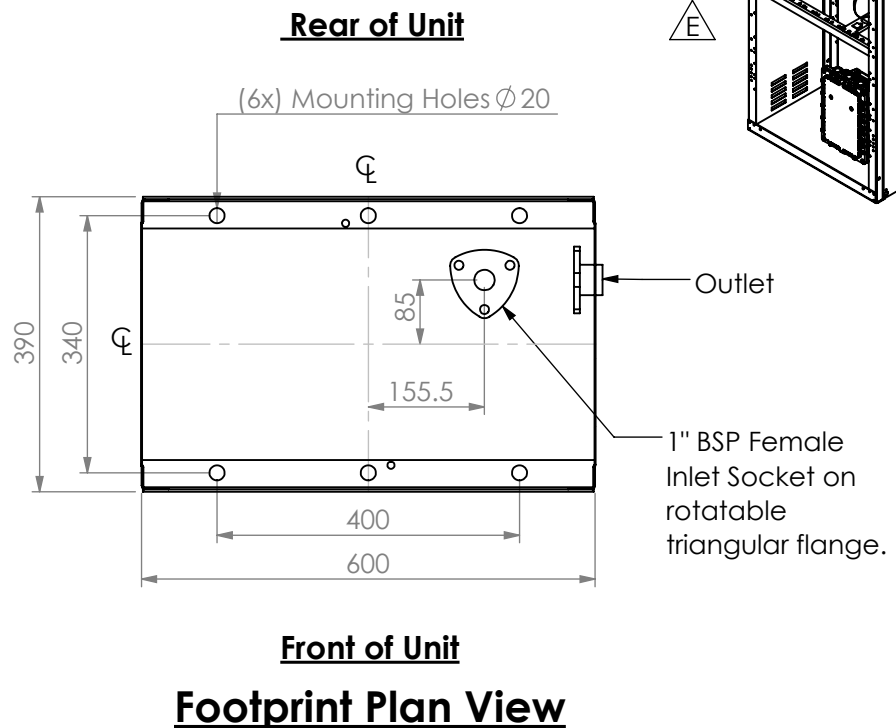
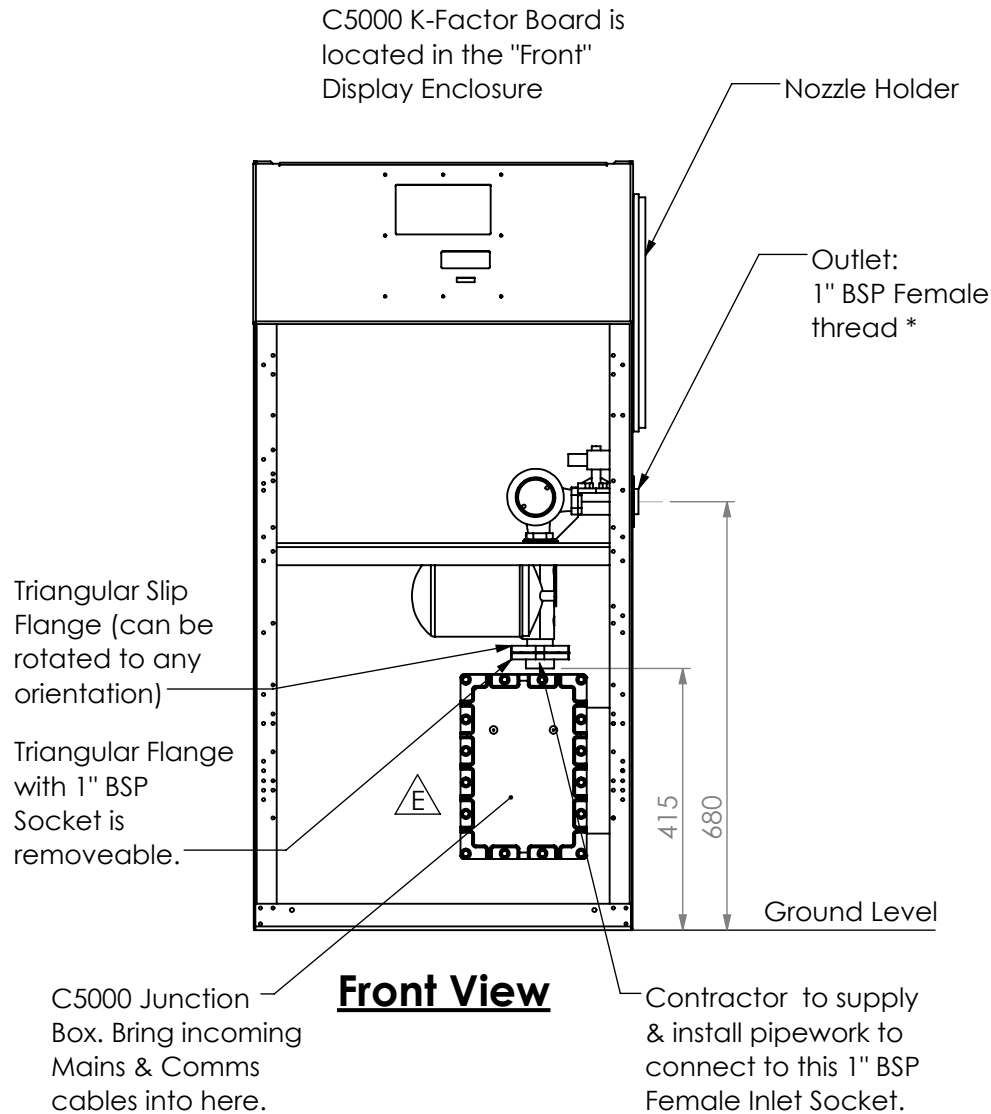


\* NOTE: For a "MR40S" unit a 1" BSP Male to 3/4" BSP Female Reducer is fitted to the Outlet.

Approved for Manufacture:

Signed / Date:

Title:



Date: 24/09/2021

Revision Description: Change F/P Box position; Edit Title



© Copyright  
Compac Industries Ltd  
PO Box 12-417  
52 Walls Road  
Penrose, Auckland, NZ  
Ph 649 5792094  
Fax 649 5790635

General Tolerances  
All dimensions millimetres

Remove all burrs  
and sharp edges.  
Original Size A4.  
Do not scale  
from drawing.



## Master PN4 MR80S & MR40S Dispenser Footprint Drawing (Includes 'Marine' variants)

Drawing  
MAD0126E

Sheet  
**1/1**

Part Revision  
**C**

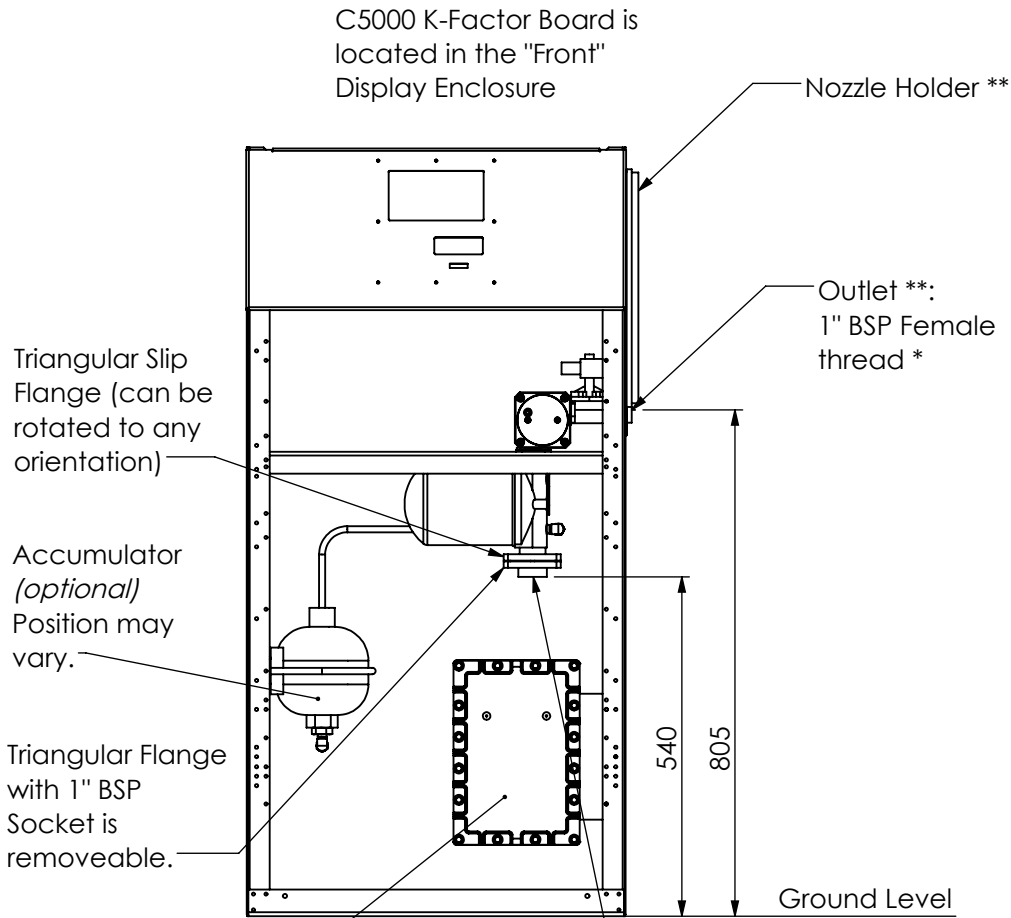


\* NOTE: For a "MR40S" unit a 1" BSP Male to 3/4" BSP Female Reducer is fitted to the Outlet.  
 \*\* NOTE: Nozzle Holder & Outlet may be positioned on 'opposite' ends.

Approved for Manufacture:

Signed / Date:

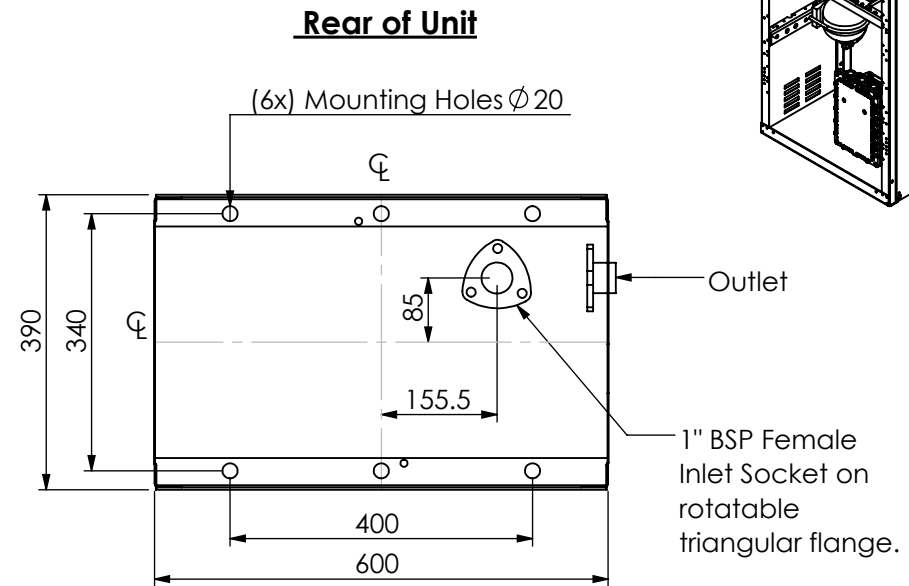
Title:



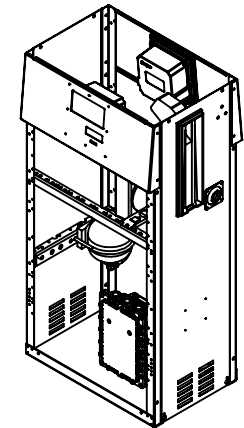
C5000 Junction Box. Bring incoming Mains & Comms cables into here.

**Front View**

Contractor to supply & install pipework to connect to this 1" BSP Female Inlet Socket.



**Front of Unit**  
**Footprint Plan View**



Date: 30/09/2021

Revision Description: Initial Release



© Copyright  
 Compac Industries Ltd  
 PO Box 12-417  
 52 Walls Road  
 Penrose, Auckland, NZ  
 Ph 649 5792094  
 Fax 649 5790635

**General Tolerances**  
 All dimensions millimetres

Remove all burrs and sharp edges. Original Size A4. Do not scale from drawing.



**Master PN4 MR80S & MR40S  
 Aviation Dispenser  
 Footprint Drawing**

Drawing  
 MAD0165A

Sheet  
**1/1**

Part Revision  
**A**

Approved for Manufacture:

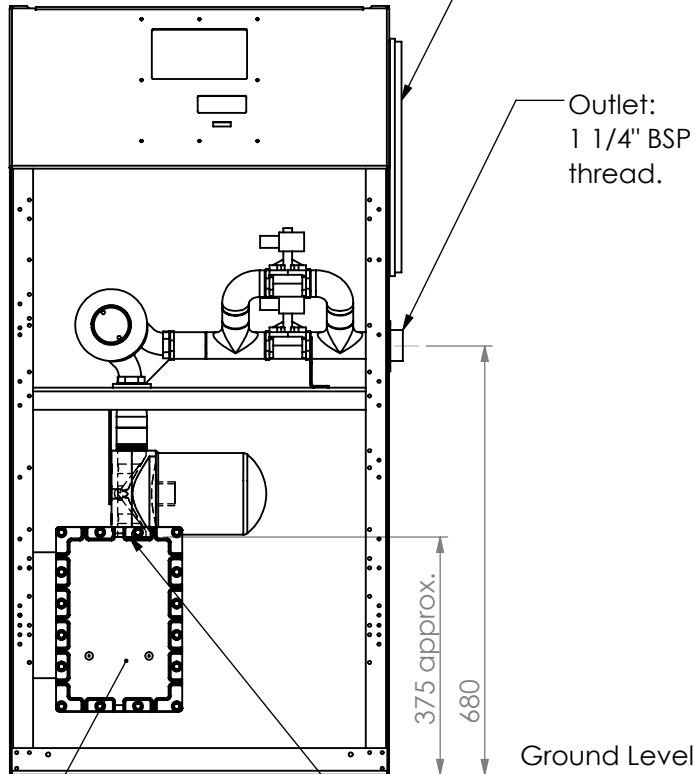
Signed / Date:

Title:

C5000 K-Factor Board is located in the "Front" Display Enclosure

Nozzle Holder

Outlet:  
1 1/4" BSP Female thread.

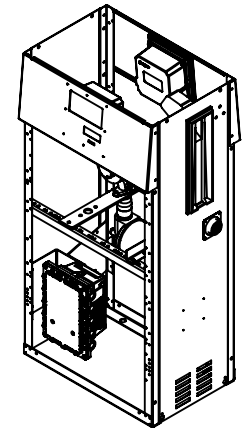
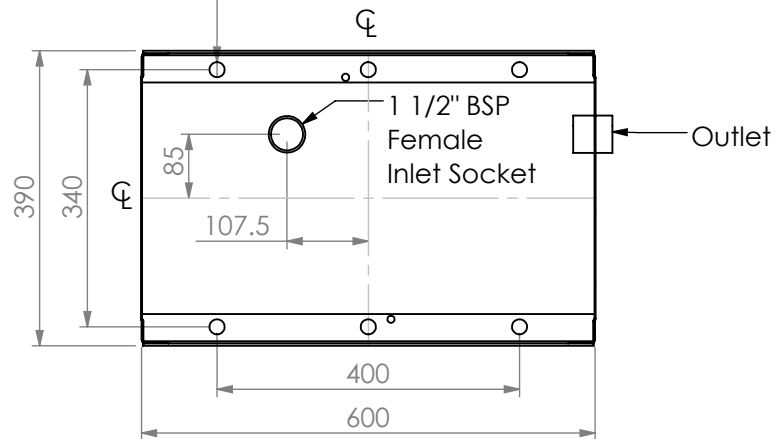


C5000 Junction Box. Bring incoming Mains & Comms cables into here.

Contractor to supply & install pipework to connect to this 1 1/2" BSP Female Inlet Socket.  
(Behind Junction Box in this view)

**Rear of Unit**

(6x) Mounting Holes  $\varnothing 20$



**Front of Unit**

**Footprint Plan View**

Date: 24/09/2021

Revision Description: Edit Title



© Copyright  
Compac Industries Ltd  
PO Box 12-417  
52 Walls Road  
Penrose, Auckland, NZ  
Ph 649 5792094  
Fax 649 5790635

General Tolerances  
All dimensions millimetres

Remove all burrs and sharp edges. Original Size A4. Do not scale from drawing.



**Master PN4 MR160S Dispenser  
Footprint Drawing  
(Includes 'Marine' variants)**

Drawing  
MAD0127E

Sheet  
**1/1**

Part Revision  
**C**

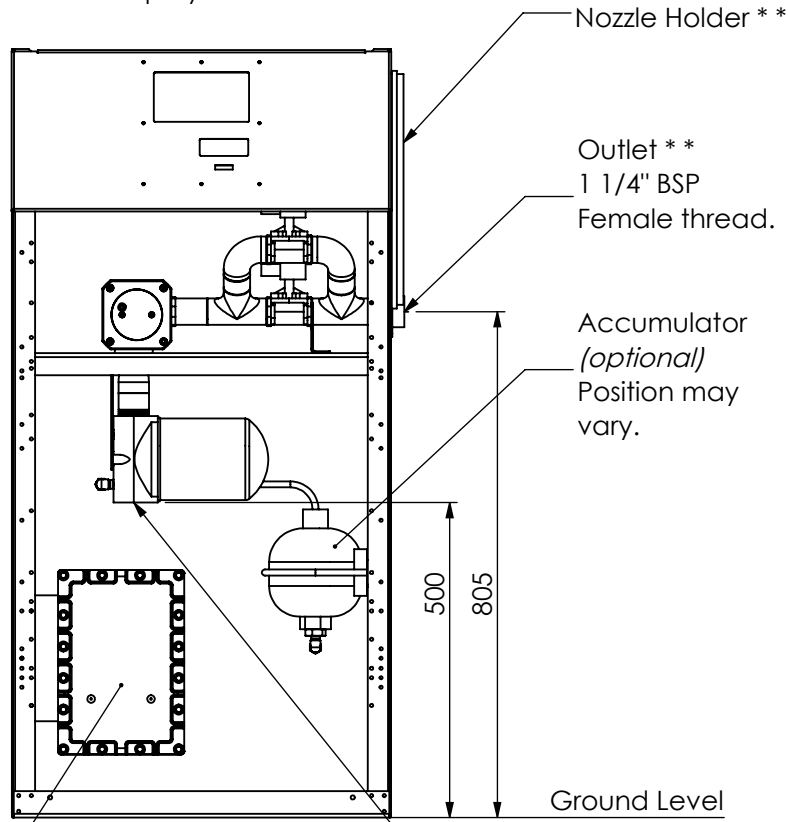
\*\* NOTE: Nozzle Holder & Outlet may be positioned on 'opposite' ends.

Approved for Manufacture:

Signed / Date:

Title:

C5000 K-Factor Board is located in the "Front" Display Enclosure

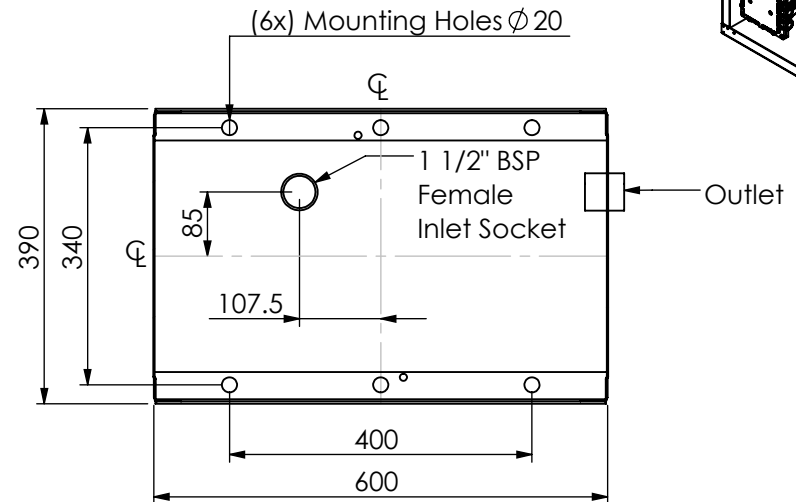


**Front View**

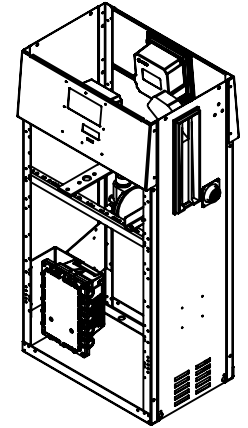
C5000 Junction Box. Bring incoming Mains & Comms cables into here.

Contractor to supply & install pipework to connect to this 1 1/2" BSP Female Inlet Socket. (Behind Junction Box in this view)

**Rear of Unit**



**Front of Unit Footprint Plan View**



Date: 27/09/2021

Revision Description: Initial Release



© Copyright  
Compac Industries Ltd  
PO Box 12-417  
52 Walls Road  
Penrose, Auckland, NZ  
Ph 649 5792094  
Fax 649 5790635

General Tolerances  
All dimensions millimetres

Remove all burrs and sharp edges. Original Size A4. Do not scale from drawing.



**Master PN4 MR160S Aviation Dispenser Footprint Drawing**

Drawing  
MAD0166A

Sheet  
**1/1**

Part Revision  
**A**

Approved for Manufacture:

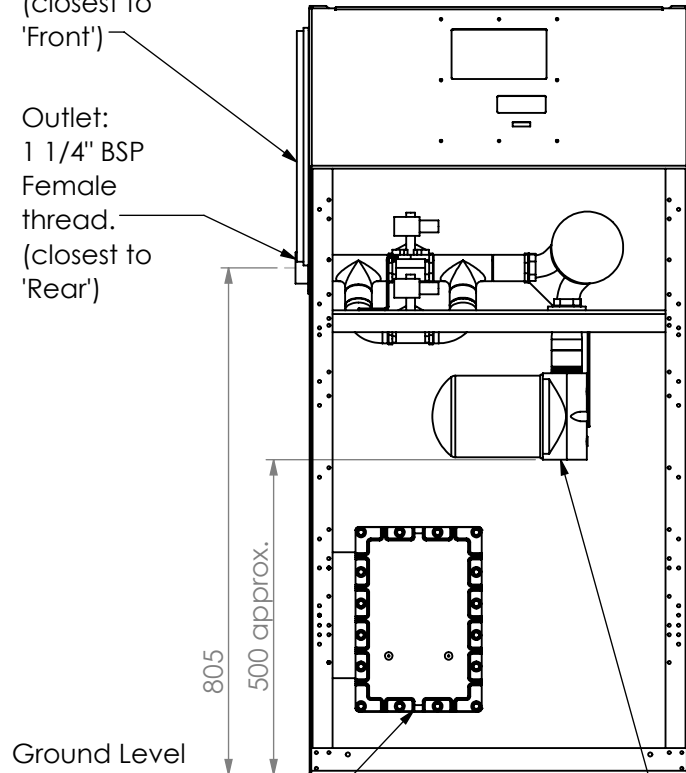
Signed / Date:

Title:

C5000 K-Factor Board is located in the "Front" Display Enclosure

Nozzle Holder (closest to 'Front')

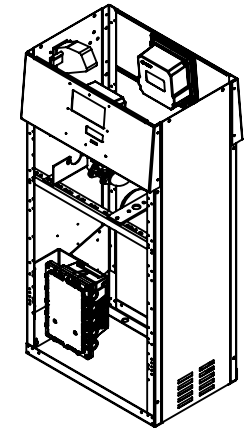
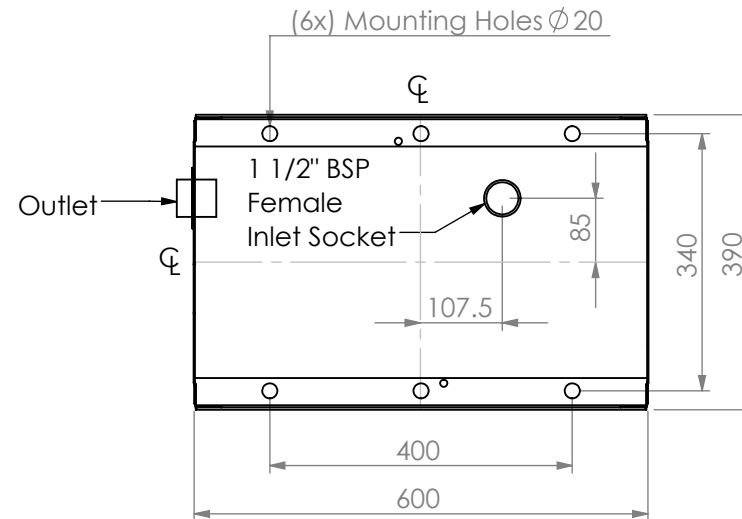
Outlet: 1 1/4" BSP Female thread. (closest to 'Rear')



C5000 Junction Box. Bring incoming Mains & Comms cables into here.

Contractor to supply & install pipework to connect to this 1 1/2" BSP Female Inlet Socket.

**Rear of Unit**



Date: 20/01/2021

Revision Description: Amend Title



© Copyright  
Compac Industries Ltd  
PO Box 12-417  
52 Walls Road  
Penrose, Auckland, NZ  
Ph 649 5792094  
Fax 649 5790635

General Tolerances  
All dimensions millimetres

Remove all burrs and sharp edges. Original Size A4. Do not scale from drawing.




**Master PN4 MR160S Aviation Dispenser  
Footprint Drawing  
(Left-Hand Outlet & Nozzle Holder; N.Z)**

Drawing  
MAD0153B

Sheet  
**1/1**

Part Revision  
**A**

\* NOTE: For a "MMR40S" unit a 1"BSP Male to 3/4"BSP Female Reducer is fitted to both Outlets.

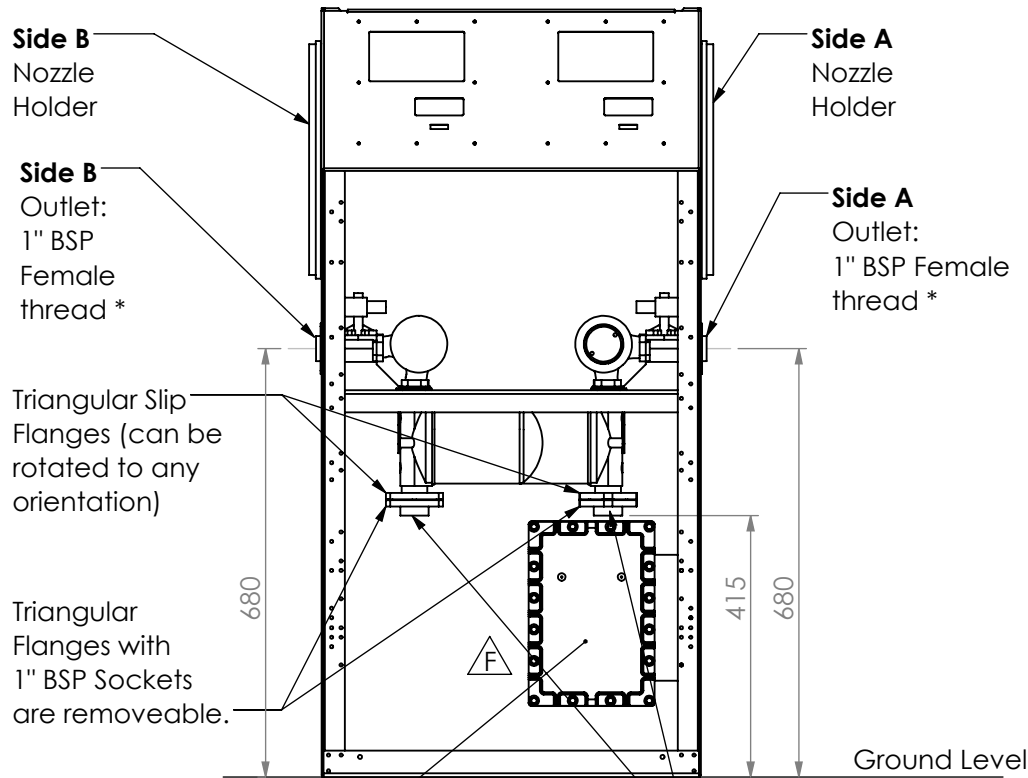
\* NOTE: For a "MMR80-40S" unit a 1"BSP Male to 3/4"BSP Female Reducer is fitted to one Outlet. 

Approved for Manufacture:

Signed / Date:

Title:

C5000 K-Factor Board is located in one of the "Front" Display Enclosures

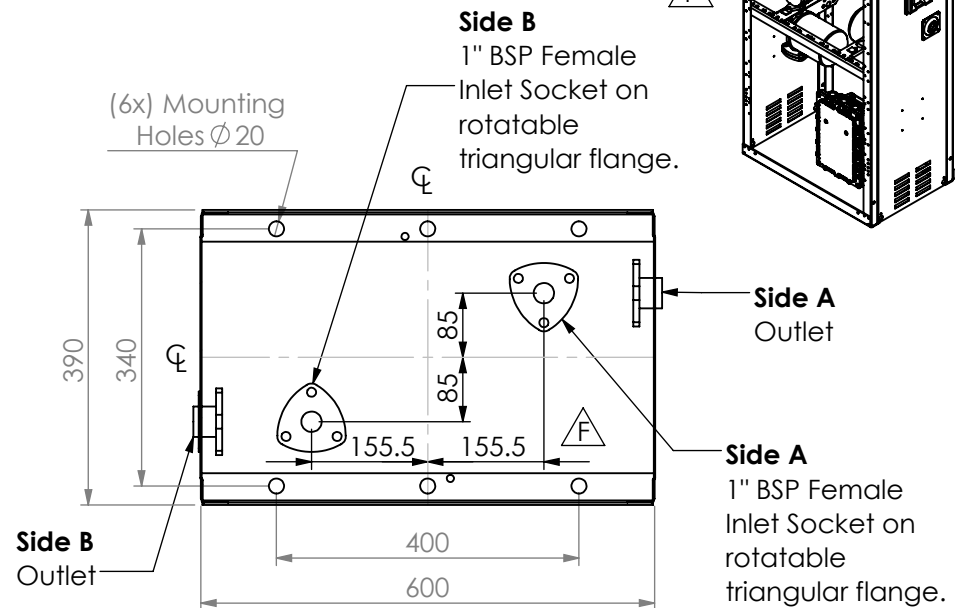


**Front View**

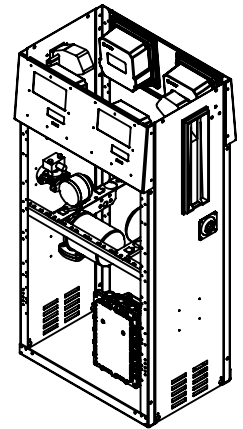
C5000 Junction Box. Bring incoming Mains & Comms cables into here.

Contractor to supply & install pipework to connect to these two 1" BSP Female Inlet Sockets.

**Rear of Unit**



**Front of Unit  
Footprint Plan View**



Date: 24/09/2021

Revision Description: Move F/P Box; Edit Title, Notes, Dims.



© Copyright  
Compac Industries Ltd  
PO Box 12-417  
52 Walls Road  
Penrose, Auckland, NZ  
Ph 649 5792094  
Fax 649 5790635

General Tolerances  
All dimensions millimetres

Remove all burrs  
and sharp edges.  
Original Size A4.  
Do not scale  
from drawing.



**Master PN4 MMR80S, MMR40S &  
MMR80-40S Dispenser Footprint Drwg  
(Includes 'Marine' variants)**

Drawing  
MAD0128F

Sheet  
**1/1**

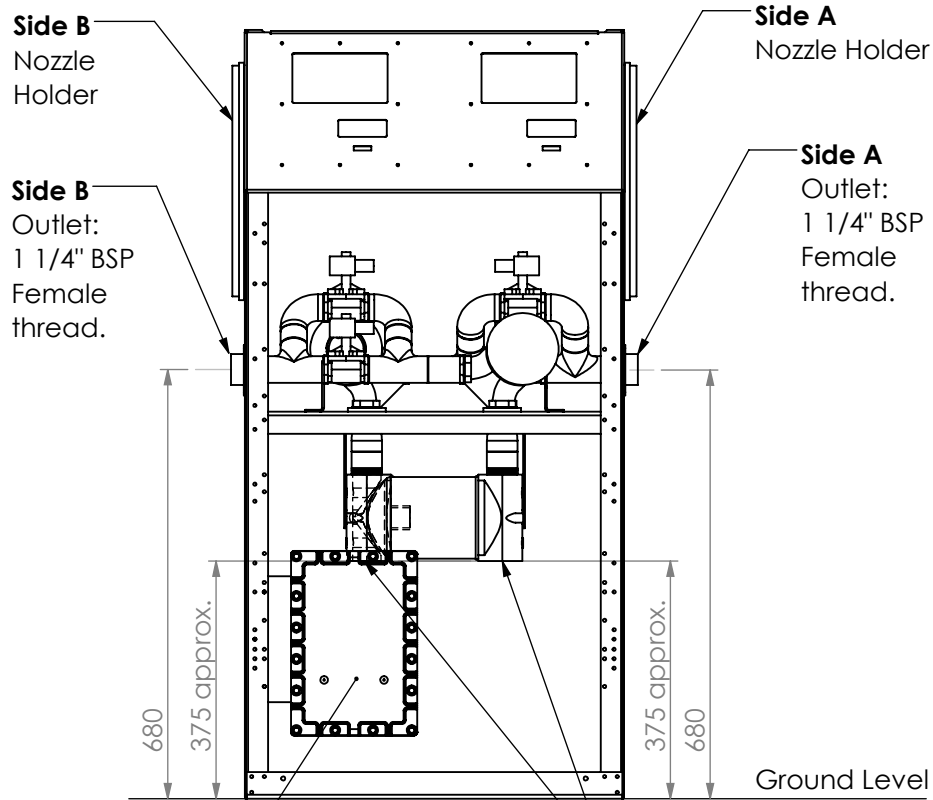
Part Revision  
**C**

Approved for Manufacture:

Signed / Date:

Title:

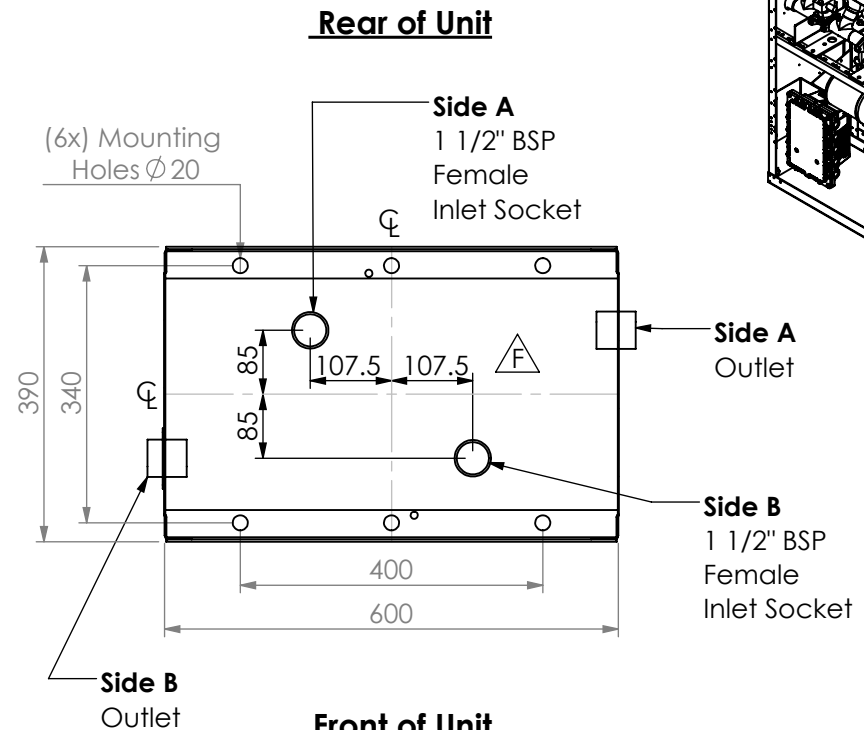
C5000 K-Factor Board is located in one of the "Front" Display Enclosures



C5000 Junction Box. Bring incoming Mains & Comms cables into here.

### Front View

Contractor to supply & install pipework to connect to these two 1 1/2" BSP Female Inlet Sockets. ("Side A" Behind Junction Box in this view)



### Front of Unit Footprint Plan View

Date: 24/09/2021

Revision Description: Edit Title & Dimensions



© Copyright  
Compac Industries Ltd  
PO Box 12-417  
52 Walls Road  
Penrose, Auckland, NZ  
Ph 649 5792094  
Fax 649 5790635

**General Tolerances**  
All dimensions millimetres

Remove all burrs and sharp edges. Original Size A4. Do not scale from drawing.



## Master PN4 MMR160S Dispenser Footprint Drawing (Includes 'Marine' variants)

Drawing  
MAD0129F

Sheet  
**1/1**

Part Revision  
**C**

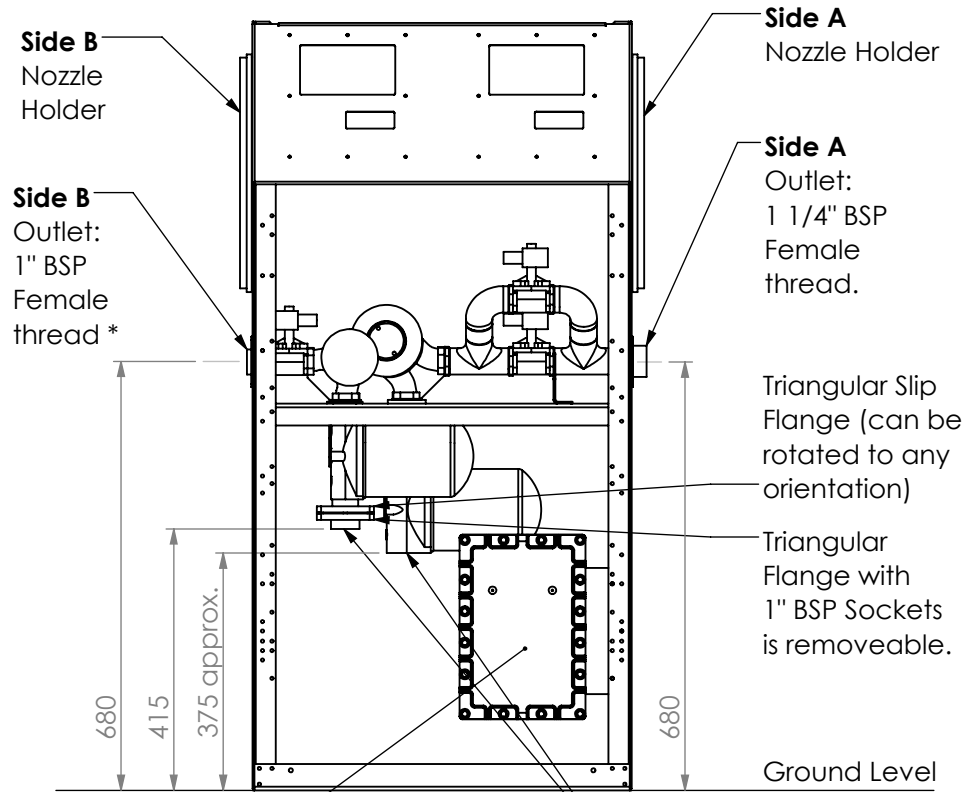
\* NOTE: For a "MMR160-40S" unit a 1" BSP Male to 3/4" BSP Female Reducer is fitted to this Outlet.  
 \*\* NOTE: The footprint will be rotated 180° on a unit that has the Hoses "reversed".

Approved for Manufacture:

Signed / Date:

Title:

C5000 K-Factor Board is located in one of the "Front" Display Enclosures

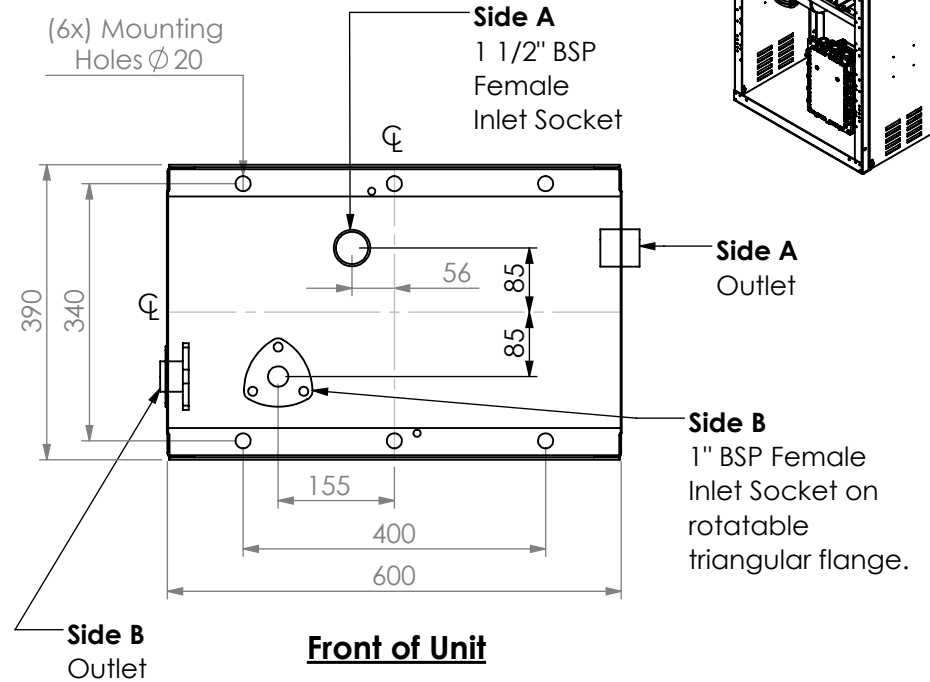


C5000 Junction Box. Bring incoming Mains & Comms cables into here.

**Front View**

Contractor to supply & install pipework to connect to this 1 1/2" BSP Female Inlet Socket & this 1" Female Inlet Socket.

**Rear of Unit**



**Front of Unit Footprint Plan View \*\***

Date: 24/09/2021

Revision Description: Model Part Revision updated



© Copyright  
 Compac Industries Ltd  
 PO Box 12-417  
 52 Walls Road  
 Penrose, Auckland, NZ  
 Ph 649 5792094  
 Fax 649 5790635

General Tolerances  
 All dimensions millimetres

Remove all burrs and sharp edges. Original Size A4. Do not scale from drawing.



**Master PN4 MMR160-80S & MMR160-40S Dispenser Footprint Drawing (Includes 'Marine' variants)**

Drawing  
 MAD0130E

Sheet  
**1/1**

Part Revision  
**C**

## Installation

### Static Electricity Precautions

Electronic components used are sensitive to static. Please take anti-static precautions.

An anti-static wrist strap should be worn and connected correctly when working on any electronic equipment. If an anti-static wrist strap is unavailable, or in an emergency, hold onto an earthed part of the pump/dispenser frame whilst working on the equipment. This is not a recommended alternative to wearing an anti-static wrist strap.

**NOTE:** *Compac Industries Limited reserves the right to refuse to accept any circuit boards returned, if proper anti-static precautions have not been taken.*

### Pre-installation Check

Once the pump is received on site, check that no damage has occurred while in transit – in particular, damage to electronics due to vibration or jarring. All terminals and plugs should be checked, including IC chips, to ensure they are securely in place.

### Procedures

Installation should be in accordance with local regulations. The dispensing equipment shall be installed to prevent the delivery hose from contacting the ground when not in use.

Where local regulations require a sump to be fitted:

- a. Sumps must be provided at all dispenser installations with secondary containment pipework and at all new installations.
- b. At all sites with sumps, dispensers must be installed with a liquid level detection device fitted in the sump that will raise an alarm if liquid is detected in the base of the sump.
- c. All Compac Master dispensers at automotive sites must have a safe break device installed in the delivery hose.
- d. External pump systems required to have an automatic emergency shut-off device installed at the base of each dispenser and it must be activated if the dispenser is knocked over or pulled from its mount.

### Dispensing Hoses and Nozzles

The unit may or may not be supplied with dispensing hose and nozzle assemblies.

If customer supplied hose assemblies, pylons, reels, safe breaks and nozzles are used they must comply with the requirements outlined in AS/NZS 2229. All dispenser nozzles must trip shut when returned to the nozzle holder.

### Breakaways

For all dispensers fitted with breakaways, ensure the breakaway is installed between the nozzle and the high-mast or pylon (if fitted). Any breakaways that have been subject to a break-away situation should be inspected and refitted or replaced in accordance with the original manufacturer's instructions.



## Typical Wiring

The instructions below refer to basic installation wiring. Prior to pump installation ensure that there is at least a two-metre tail on both the incoming underground mains supply cable and comms cable (if comms enabled). These cables are terminated at the C5000 power supply, which is housed in the flameproof enclosure located in the bottom of the pump, behind the door.

Mains power wiring should be rated for a maximum current draw of 10 A rms at 220-240 V ac. Refer to AS/NZS 60079.14 for appropriate cabling.

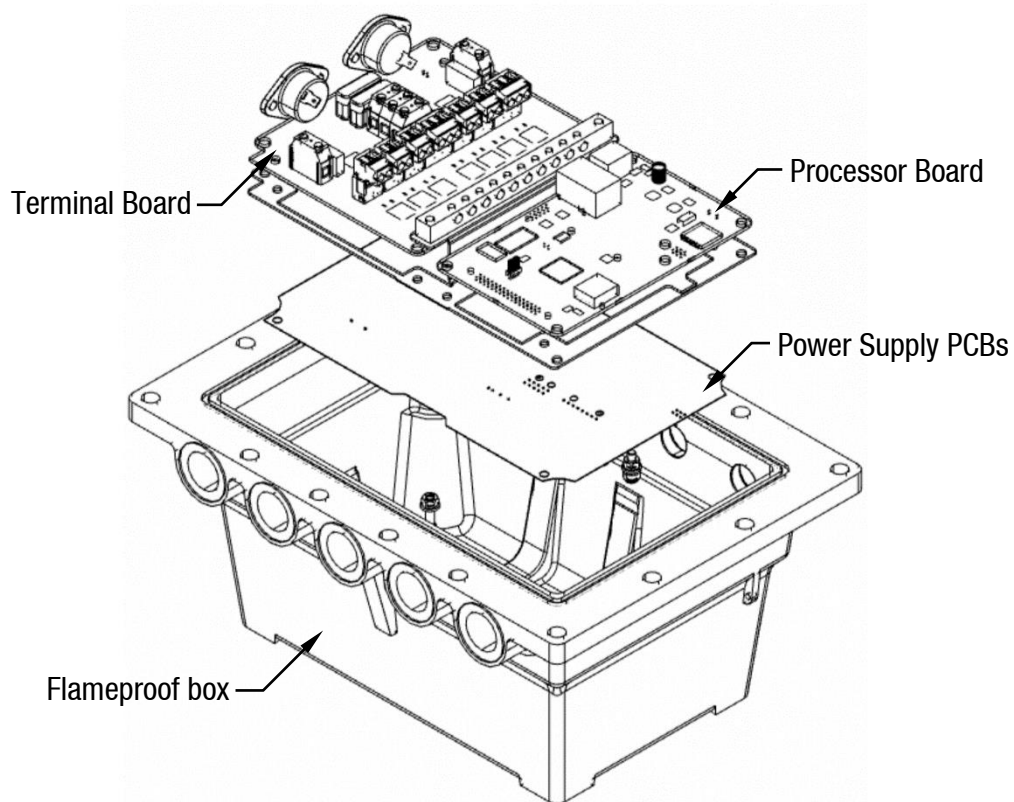
**NOTE:** All cables entering the power supply must be glanded with certified 20mm flameproof glands.

**NOTE:** Output to submersible pump(s) is 230 V ac, 300 mA max. It is wired to the pump contactor/relay at the switchboard and not directly to the pump.

**NOTE:** Comms cable is not intrinsically safe.

**NOTE:** Pump comms connects to pump controller such as DCA, Communicator Controller etc. (option).

When replacing the lid of the flameproof enclosure, ensure the sealing O ring is in place.



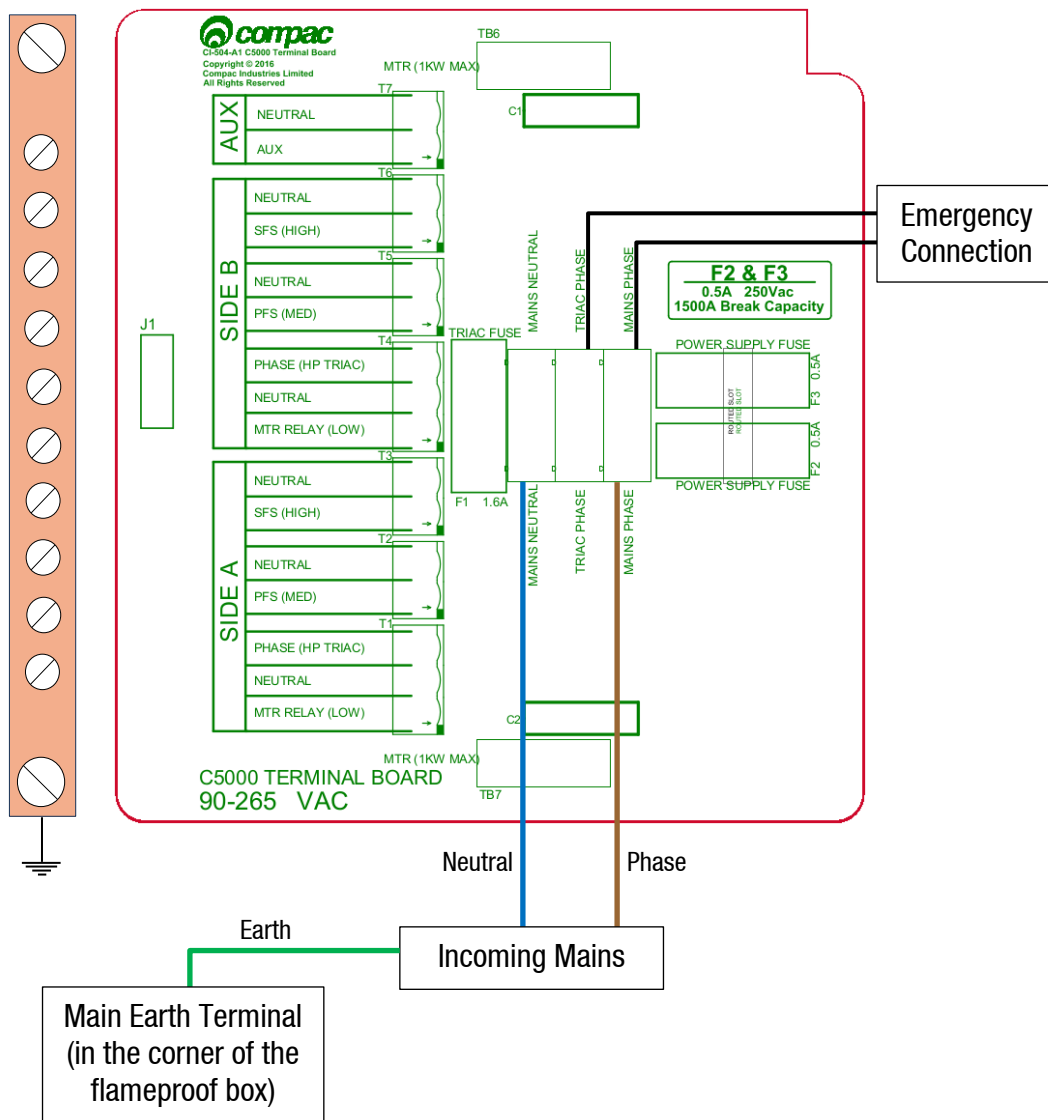
## Incoming Mains

Incoming mains connections should be brought in to the terminal board.

If an emergency stop button was ordered with the dispenser it will be factory wired into the terminal board, shown below. This will be in place of the normal loop between the triac and main phases.

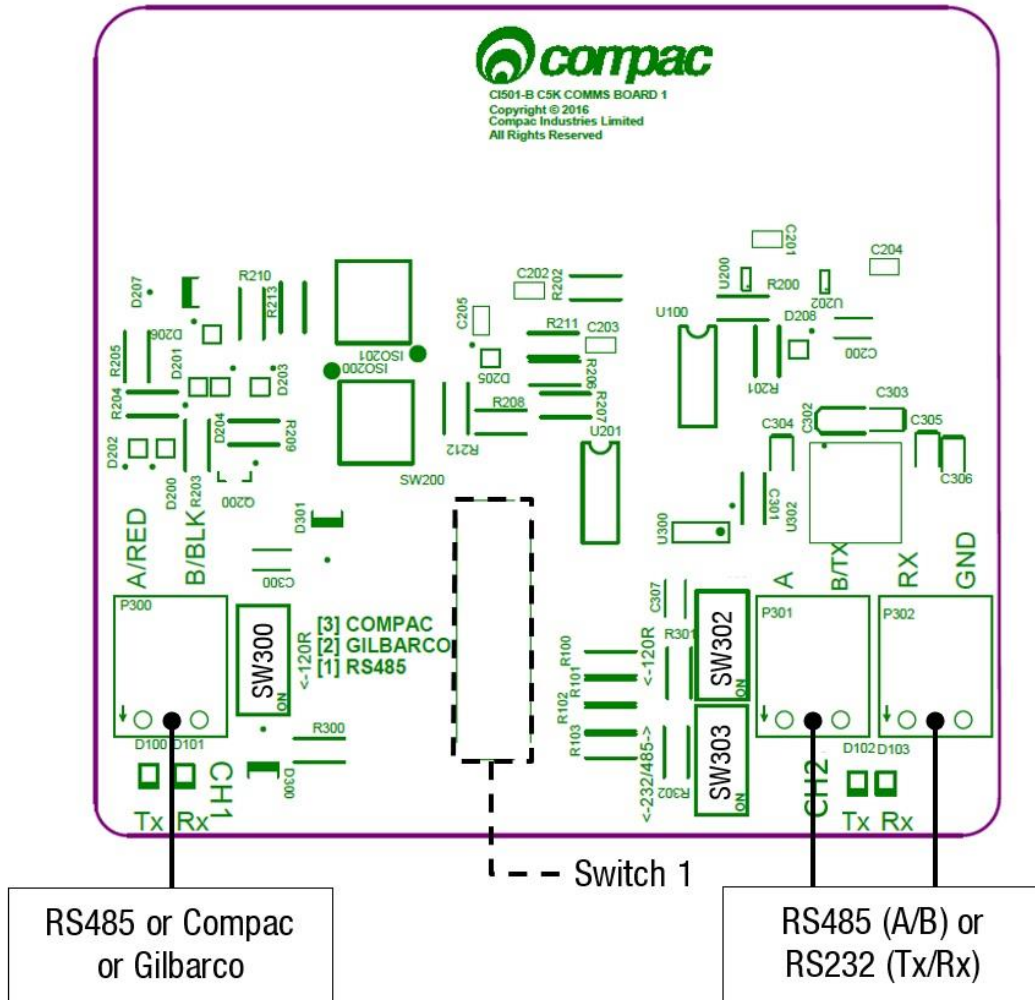
Wires have standard colours which are shown. In case these colours are unclear, they are as follows:

- Incoming mains phase: Brown
- Incoming mains neutral: Blue
- Incoming mains earth: Green/Yellow



## Comms Connections

The comms I/O is controlled by the connections to the Comms board. Refer to the following diagram for connecting RS485, RS232, Compac or Gilbarco pumps. The shown switch should be set to the desired setting.

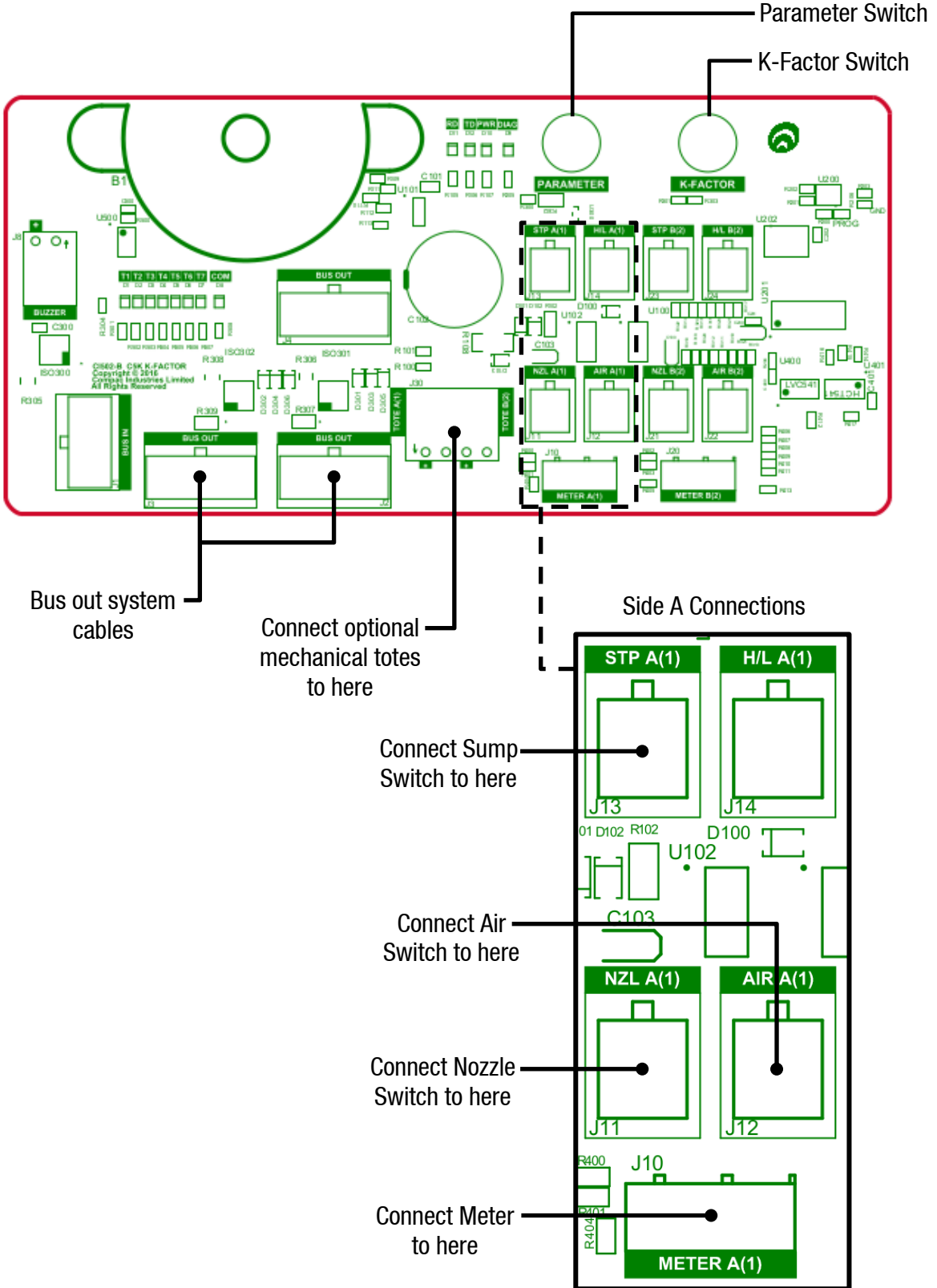


Switches 300, 302, and 303 are for RS485/RS232 Terminator application. Use the following table to configure these switches. Switch 300 is for channel 1, and switches 302 and 303 are for channel 2.

	SW300	SW302	SW303
RS485 (Channel 1)	ON	-	-
RS485 (Channel 2)	-	ON	OFF
RS232 (Channel 2)	-	OFF	ON

## K-Factor Board

Both the Parameter switch and K-Factor switch are found on the K-Factor board. Meters and air switches are also connected to this board. See below for the location of these.

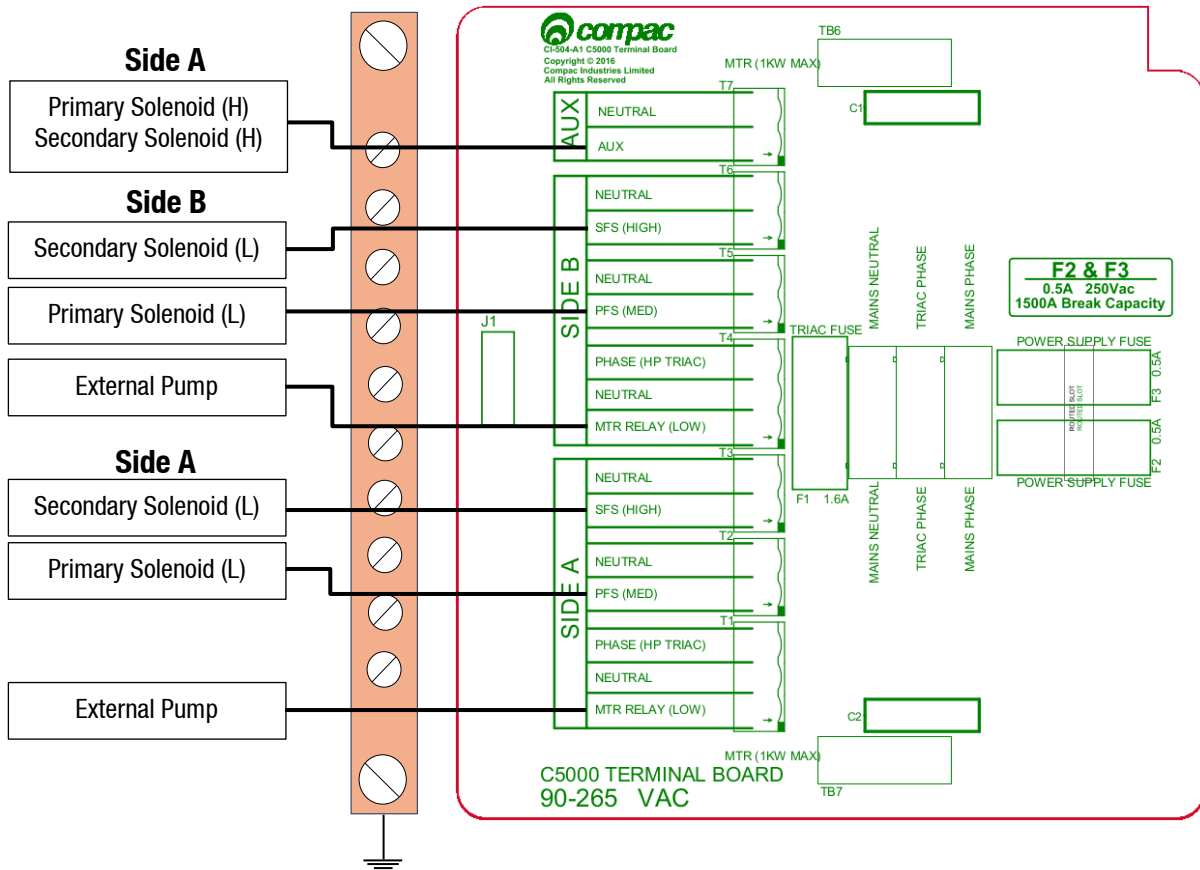


## Terminal Board Connections

When using the C5000 electronics for dispenser application, as well as connecting the incoming mains, the external pump contactors will have to be connected to the terminal board.

Solenoids for side A and B are factory wired as shown below. (L) and (H) refer to low and hi flow respectively.

160 / 80 / 40 lpm

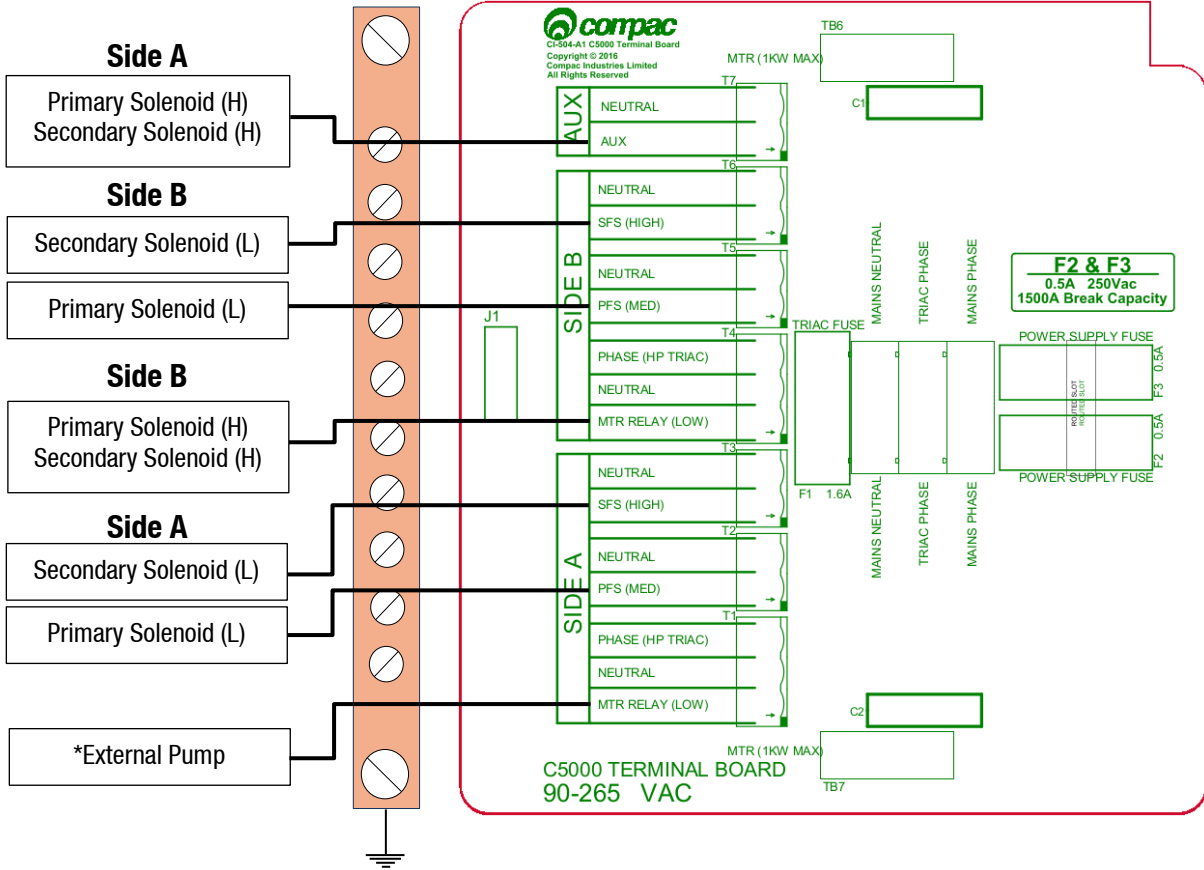


Typical Wiring

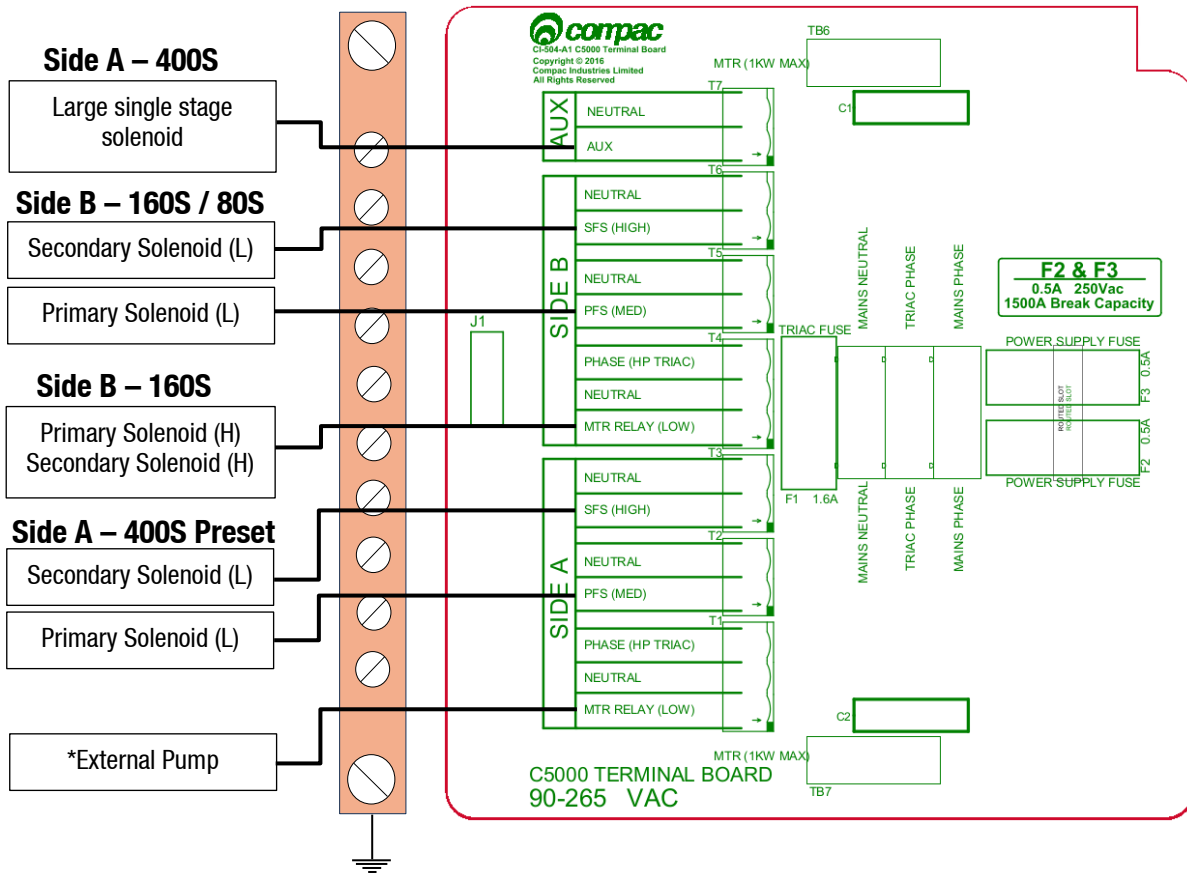
# Typical Wiring

## MMR160S

**\*NOTE:** Only one external pump may be connected.



MR400S, MMRS400-160S, MMR400-80S



Typical Wiring

**NOTE:** (L) and (H) refer to low and hi flow respectively.

**\*NOTE:** Only one external pump may be connected.

## Setting up the C5000

### K-Factor Settings

The settings that can be accessed from the K-Factor switch are shown below. Not all of these will need to be changed during installation, therefore information on the following pages refers only to the settings that must be changed. Once the pump has been installed, if further customisation of the unit is desired, refer to the C5000 Manual.

Setting	Price display	Litres display
Dispenser settings. These are set in the factory and should not be changed.	C-A or C-b	*****
Maximum flow		9A **** or 9b ****
K-Factor	FA or Fb	*****
Configuration code. This is set at the factory and should not be changed.	C	*****
Solenoid delay		SdA *** or Sdb ***
Preset cutoff. This is available if a secondary solenoid is wired in.		PcA *** or Pcb ***
Preset rounding		PrLA*** or PrLb*** PrHA*** or PrHb***
Flow time out		n-A *** or n-b ***

### Changing the K-Factor

The K-Factor is used to calibrate product flow. It is a ratio of litres dispensed per revolution of the meter. The K-Factor may need to be calibrated after periods of time. To calibrate the pump, dispense fuel into a certified measuring container and compare the display value with the one dispensed.

#### Example:

Display shows 10.00    True volume 20.00

To calculate the correct K-Factor from the information above; firstly record the existing K-Factor.



$$\text{New K Factor} = \text{Existing K Factor} * \frac{\text{Dispensed Amount}}{\text{Displayed Amount}}$$

$$= \text{Existing K Factor} * \frac{20}{10}$$

$$= \text{Existing K Factor} * 2$$

To change the K-Factor, depress the K-Factor switch repeatedly until the following display is shown. To increment a digit, press and hold the parameter switch when the desired digit is flashing. Repeat this procedure for side B if applicable.



### Changing the Solenoid Delay

This is the time delay from when the submersible pump starts to when the solenoids in the dispenser open to allow time for the leak detector to reset.

This is factory set by Compac at 005 (five seconds).

If problems are experienced with the leak detector tripping, firstly check that the solenoid delay is still set and then, if necessary, make it longer as follows.

To change the solenoid delay, depress the K-Factor switch repeatedly until the following display is shown. To increment a digit, press and hold the parameter switch when the desired digit is flashing. Repeat this procedure for side B if applicable.



## Parameter Settings

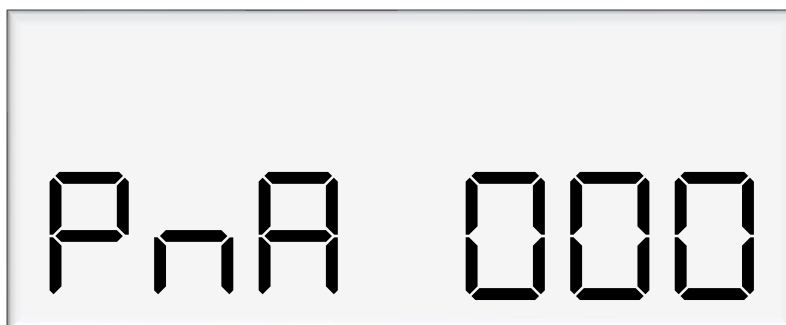
The settings that can be accessed from the parameter switch are shown below. Not all of these will need to be changed during installation, therefore information on the following pages refers only to the settings that must be changed. Once the pump has been installed, if further customisation of the unit is desired, refer to the C5000 Manual.

Setting	Price Display	Litres Display
Software Version – the pump will then run a segment test	P*****	P*****
Pump Number		PnA *** or Pnb ***
Price		PA***** or Pb*****
Pump Settings		bA **** or bb ****
High-flow cut off		LFA ***
Low-flow cut off		HFA ***
b Setting. This is not currently in use and should not be changed		b ****
Electronic Totes	LA **** or dA **** Lb **** or dA ****	L ***** d*****

### Changing the Pump Number

If the parameter switch is continually depressed, the following menu to change the pump number will appear. Each side must be numbered between 1-99. Entering a pump number 0 will disable the pump.

To change the pump number, depress the parameter switch repeatedly until the following display is shown. To increment a digit, press and hold the parameter switch when the desired digit is flashing. Repeat this procedure for side B if applicable.



## Changing the Price

The price must be set before the dispenser can be used, otherwise an error will be returned. Set the price in dollars per litre.

To change the price, depress the parameter switch repeatedly until the following display is shown. To increment a digit, press and hold the parameter switch when the desired digit is flashing. Repeat this procedure for side B if applicable.



## Standalone Mode

In standalone operation, the dispenser will continue working when not connected to a controller. When in Standalone mode no authorisation of fills is required and so fills are simply initiated by removing the refuelling assembly from its holder. If standalone operation is inhibited, the dispenser will not work in standalone mode, regardless of whether the dispenser is ONLINE to a controller or not.

The dispenser ceases to work in standalone mode if connected to a controller, regardless of the position of standalone setting.

Generally, on retail forecourts the dispenser should be set-up for standalone operation. Hence, if the forecourt controller breaks down the dispensers can be set to work in standalone mode simply by turning them off then on again.

For unattended refuelling sites, the dispensers should not be able to work in standalone mode in the event of a controller failure. Therefore, the dispenser should be set-up to inhibit standalone operation.

This is set in the b code on the K factor switch. The b code to run Standalone without Dispenser Controller is 1000. The b code to inhibit Standalone is 0000.



## Notes

### Pump Controller

If the pump is connected to a controller, check that pump data and transaction information is being correctly uploaded to it. Refer to the controller manual for specific instructions regarding connection and setup.

### Spare Fuses

In the event of a fuse blowing on the C5000 Power supply a bag of 3 is included in each flameproof box. Any fuses used from this bag should be replaced.

**NOTE:** *There are three different ratings used. If replacing a fuse, ensure that the correct value is used.*

### Precautions if Using Generator Power

The power output from onsite generators can cause power spikes that may damage electrical components within the cabinet. When connecting to sites powered by generators, please take the following precautions:

1. Install a power conditioner. Although generators are fitted with power regulators, most are not filtered sufficiently for powering sensitive electrical components. We recommend installing a commercial power conditioner and/or UPS between the generator and the unit.
2. Before starting a generator, make sure the power to the unit is turned off. Start the generator, let the generator reach stable operating speed and wait 30 seconds before reconnecting the power to the unit.
3. For units where the generator starts and stops on demand, install a delay timer or PLC to automatically isolate the unit until the operating speed and consistent power output is achieved.
4. Isolate the unit before shutting down the generator.

## Error Messages

Error Code	Fault	Action/Information
Er FL0	Excess flow	Maximum flow rate exceeded
Er 3	No price	Set the price
Er 8	Reverse flow.	Check product is not flowing back into the tank once the delivery has finished. This only occurs if the non-return valves installed on site are faulty
Er 10	Configuration lost	Reconfigure the unit
Abd	Display error	Check connections to display
hold	Processor offline / no power to processor	This will occur upon start up – allow time for the processor to load. If the problem persists, check connections to processor
cAL ib c	K-Factor data integrity failure, or the processor board has been replaced	The K-Factor seal must be broken, and the switch must be pressed
cAL ib P	The K-Factor board has been swapped/replaced	The K-Factor seal must be broken, and the switch must be pressed
orun	Overrun – flow above preset	Increase the preset cutoff
SuNP	Sump error – liquid detected in the sump	Empty the sump. Check the dispenser for leaks