



compac

INTEGRATED REFUELLING SOLUTIONS

Connecting a 3rd Party Meter Version No 1.4

Model: C4000

Date: 13/06/2019

Compac Industries Ltd.

52 Walls Road, Penrose, Auckland 1061, New Zealand.

PO Box 12 417, Penrose, Auckland 1642, New Zealand.

Tel: +64 9 579 2094 Fax: +64 9 579 0635 info@compac.co.nz

www.compac.co.nz



Scope

This instruction sheet is for connecting a 3rd party meter to the C4000. Please note that the Triscan interface board has been used previously for pulse applications. However, in this application it is used as a barrier to connect a 3rd party meter. Connections in each application are different and attention should be paid to the location and connections of this application.

See the following photo for the location of the Triscan interface board in this application.

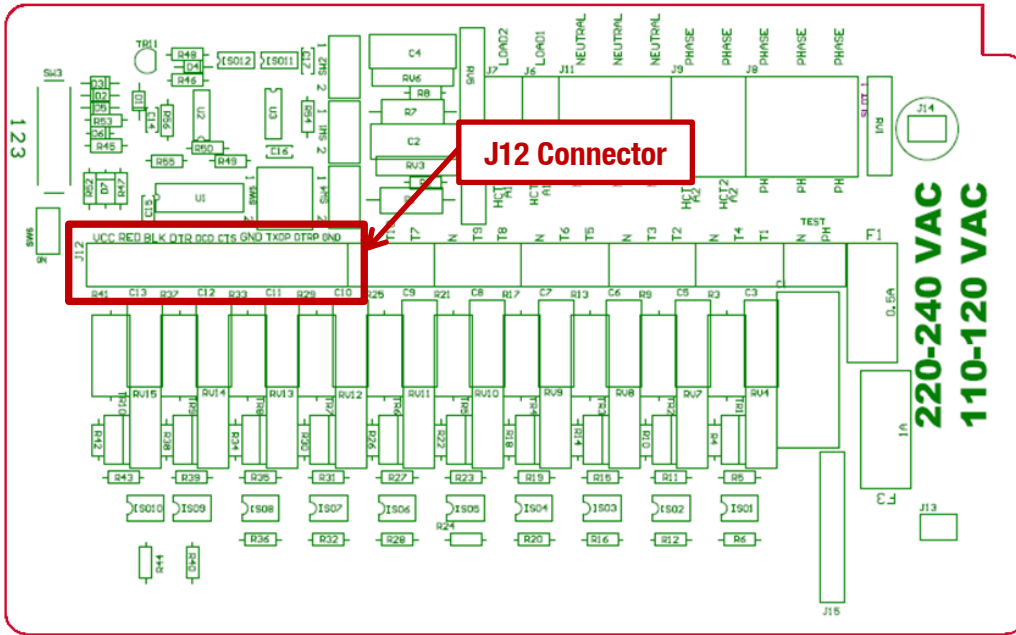


Wiring

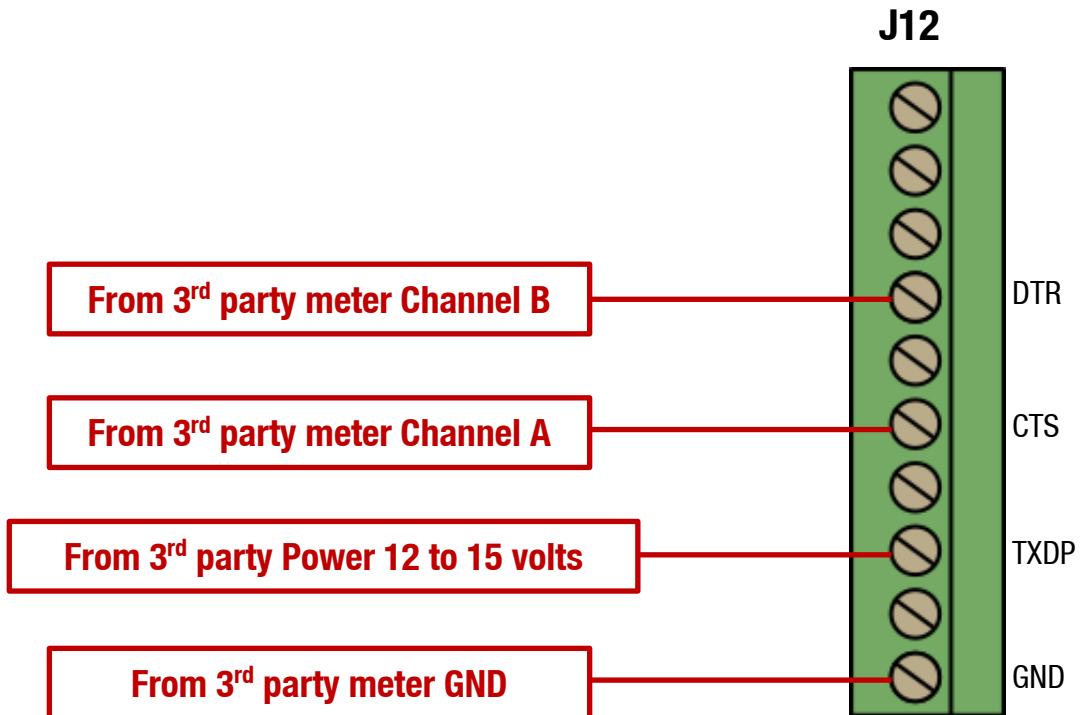
To hold the Electrical certificate for the C4000 the meter must be connected to the C4000 via a barrier. The below is the wiring to connect the C4000 Power supply to a 3rd party Open collector output meter.

NOTE: the meter must be powered by its own power supply.

Wiring

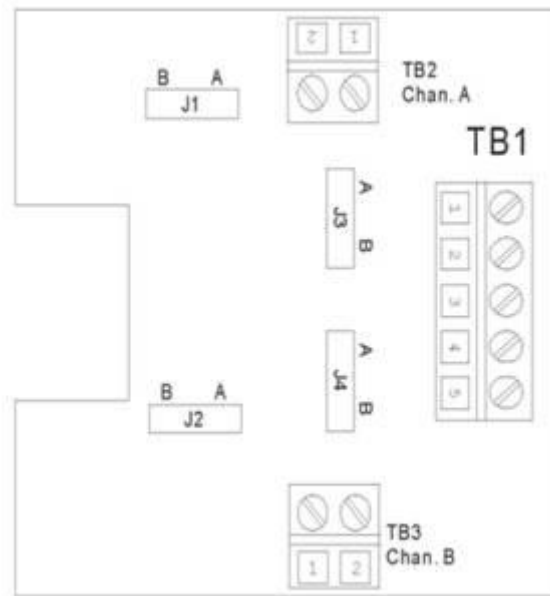


There are 4 connections that are made when connecting a 3rd party meter to the C4000 power supply. These are Meter power, (12 to 15 volts) Channel A, Channel B and Ground.



Brodie Meter Connections

The Brodie meter can be connected to the C4000. Shown is the Brodie connection board:



And shown are the connections:

| Brodie meter | C4000 |
|----------------------------|-------------------------------------|
| Pin 1 12 volt power supply | From 3rd party Power 12 to 15 volts |
| Pin 2 Ground | From 3rd party meter GND |
| Pin 3 Channel A | From 3rd party meter Channel A |
| Pin 5 Channel B | From 3rd party meter Channel B |

The jumper connections are as follows:

| | |
|----|--------------|
| J1 | Keep default |
| J2 | Keep default |
| J3 | A |
| J4 | A |

Refer to page 2 for diagrams of the connections.