

CompacCNG Dispenser Features

- Compac CNG dispensers are designed and manufactured to the highest international standards. These units are the result of over twenty years of manufacturing CNG dispensers combined with constant investment in research and development.
- Compac is the only meter manufacturer to be certified to the latest OIML standards on natural gas at an approved testing laboratory. We also manufacture our dispensers to the latest ATEX standards and there is the option of purchasing dispensers with PED approval.
- All materials used in the dispensers are of the highest quality and the dispensers are made of stainless steel for the best corrosion resistance and to maintain ductility at low temperatures.
- The complete dispenser is tested on natural gas at our CNG station before being dispatched.

Standard dispenser features

- Full stainless steel construction. Includes all valves, fittings, tubing, sheetmetal, framing and brackets. Base rails are hot dip galvanised steel.
- Stainless steel panels powder-coated white
- Fixed pressure refuelling shutoff at 200 bar
- Large backlit LCD displays
- Push to start button
- Stop button to close solenoids and terminate fill
- Outlet pressure gauges Ø100 dual scale 0-400 bar
- Manual outlet isolation valve
- Internal pipework ½" 316L stainless steel tube

Dispenser Performance

- Flowrate 1-15 kg/min, or high flow 1-50 kg/min
- Accuracy ± 1% on CNG gas for entire dispenser
- Maximum inlet pressure 275 bar
- Power 230V, 50 Hz ±10%
- Ambient temperature range -25°C to +55°C
- CNG temperature range -40°C to +75°C

Compac Electronic Components

- Compac C4000 Power Supply and Electronic Head
- Dispenser wired for Class 1 Zone 1 Hazardous Areas
- Intrinsically safe meter, displays, totes and switches
- OIML approved error checking on meters and displays
- Three line LCD displays with backlighting
 - Six 25mm digits for price and quantity
 - Four 15mm digits for unit price
- Non resettable ten digit electronic totals for price and quantity
- Simple interface to setup meter and parameters
- Adjustable high and low flow cutoff
- Units of measure can be kg, m³ or liter equivalent

Compac Hydraulic Components

- Coriolis Mass Flow Meter 1-80kg/min. Model KG80
- High Flow Solenoid. Model SC112-SS
- High Flow Regulator. Model RC112-SS
- Filter with integral check valves and coalescing element on every incoming gas line. Model FC112-SS
- All valves and fittings are stainless steel with batch traceability. All valves rated to at least 275bar and can be serviced in place without removing pipework

Hose Assembly Options

Standard Flow 1-15 kg/min

- Standard is 3/8" hose with OPW ILB-1 in-line breakaway, Compac Three-Way Valve and NGV1 refueling coupling with gas vent at breakaway location.
- Option of Compac inline breakaway
- Option of NZ 7/16" probe with 250mm probe hose
- Option of OPW CT1000 refueling coupling
- Option of gas vent at three-way valve

High Flow 1-50 kg/min

- Standard is 1/2" hose with OPW ILB-1 in-line breakaway and CT1000 refueling nozzle with gas vent at breakaway
- Option of CT5000 refueling nozzle
- Option of OPW ILB-5 breakaway

Dispenser Options

- One, two or three gas inlet lines
- Single or Dual Hose
- High pressure model for 350 bar inlet
- Temperature compensated refueling shutoff
- Electro-mechanical totaliser 7 digits
- Units of measure on displays to suit country
- Gauges with psi and either bar, MPa or kg/cm²
- Decals to suit customer requirements
- Standard with New Zealand communications protocol. Option of Gilbarco Australia or Gilbarco US protocol
- Preset with accurate shut-off
- Card readers and pinpads
- POS systems and PC interfaces
- Other options available on request



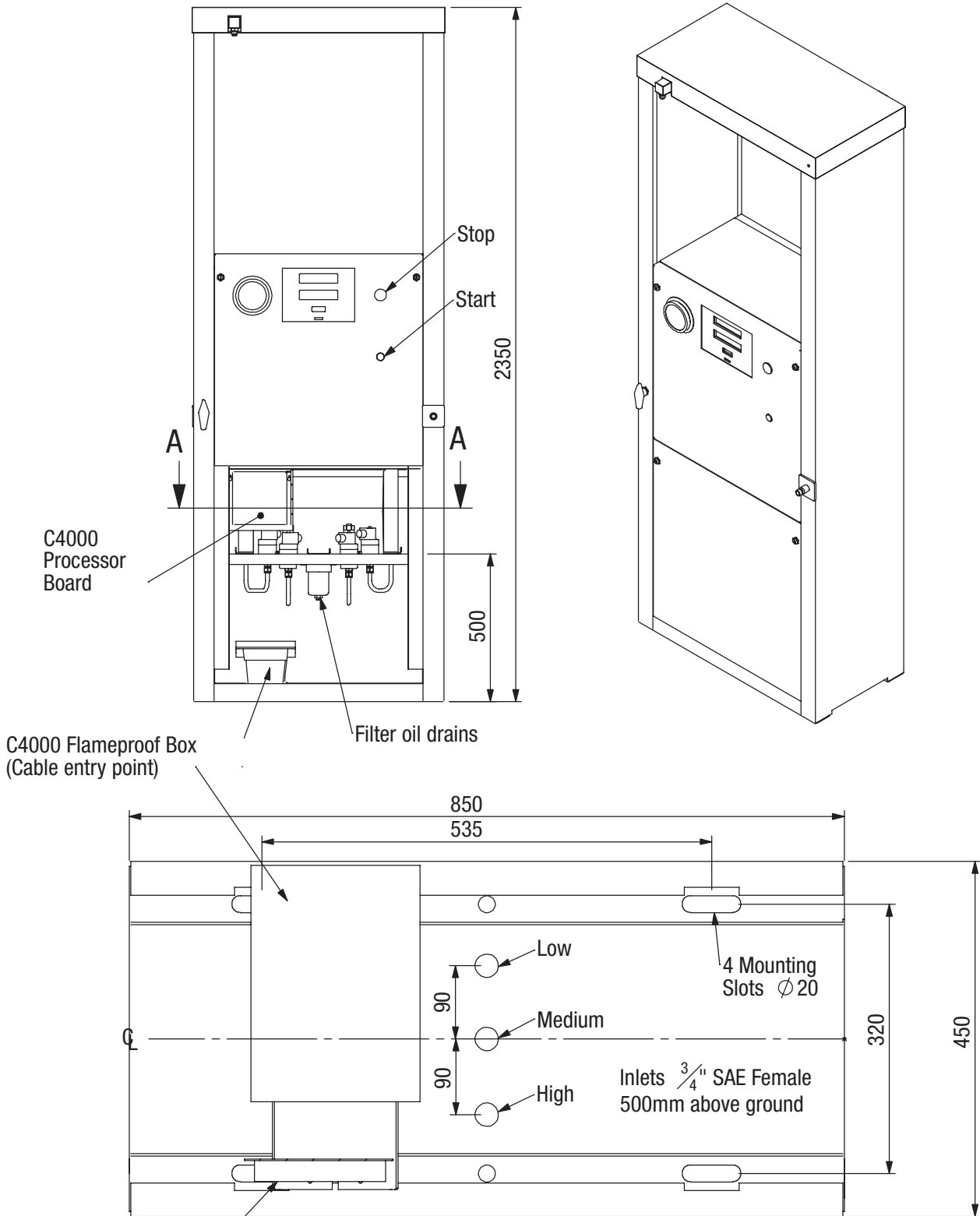
Compac Industries Ltd.

52 Walls Road, Penrose, Auckland 1061, New Zealand.
PO Box 12 417, Penrose, Auckland 1642, New Zealand.

Tel: +64 9 579 2094 Fax: +64 9 579 0635 info@compacngv.com www.compacngv.com



Compac Legend Dimensions



C4000 Processor

A-A Footprint

Legend Crating Dimensions
 Approx: 700x1200x2600, 2.2m³
 Weight: 250-300kg



Compac Industries Ltd.

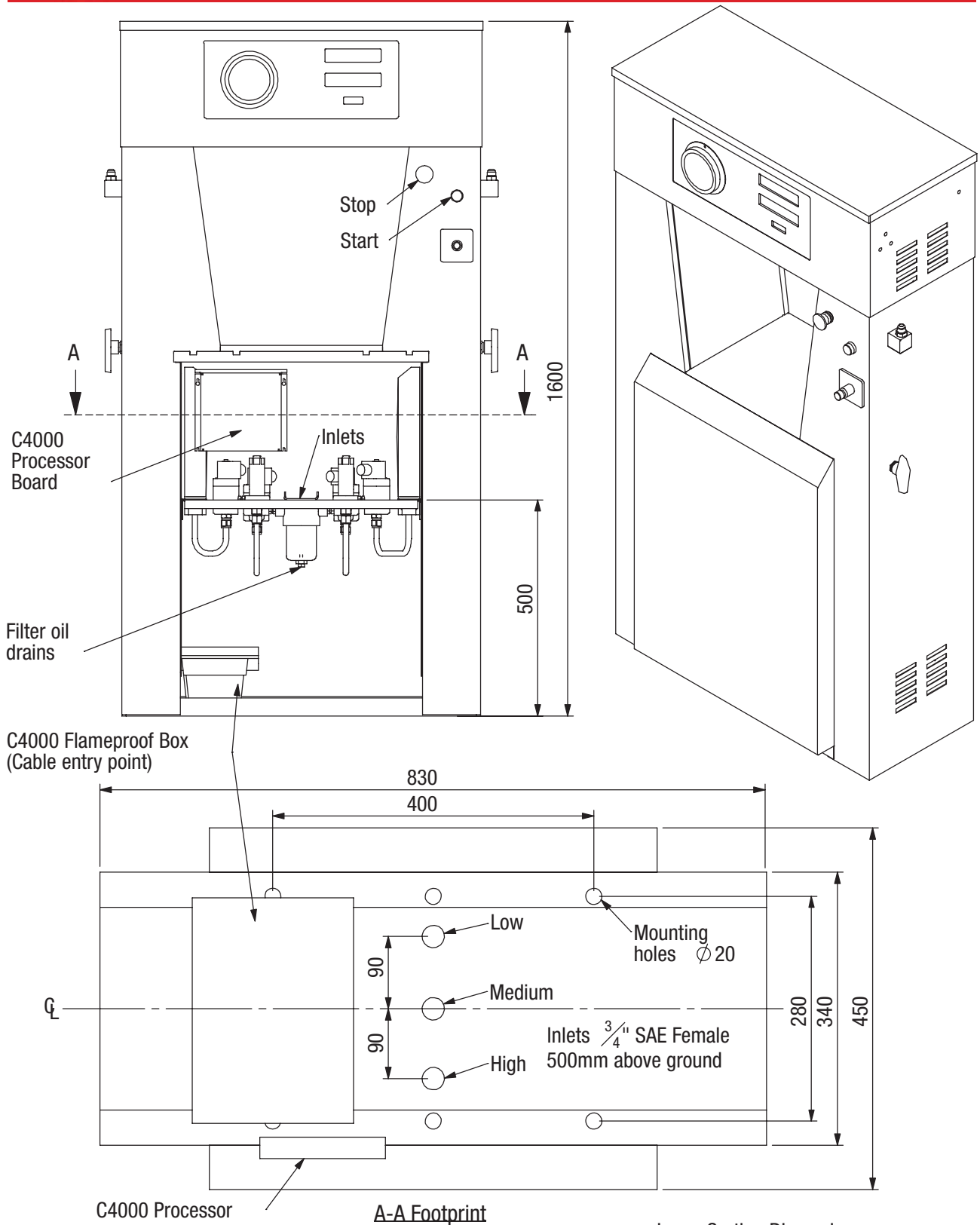
52 Walls Road, Penrose, Auckland 1061, New Zealand.

PO Box 12 417, Penrose, Auckland 1642, New Zealand.

Tel: +64 9 579 2094 Fax: +64 9 579 0635 info@compacngv.com www.compacngv.com



Compac Laser Dimensions



Laser Crating Dimensions
 Approx: 700x1100x1800, 1.4m³
 Weight: 200-300kg



Compac Industries Ltd.

52 Walls Road, Penrose, Auckland 1061, New Zealand.
 PO Box 12 417, Penrose, Auckland 1642, New Zealand.

Tel: +64 9 579 2094 Fax: +64 9 579 0635 info@compacngv.com www.compacngv.com

